

Peak pulse voltage ($T_f=25^\circ\text{C}$; $n=10$)	V_p	1.5	kV
---	-------	-----	----

($T_f=25^\circ\text{C}$)

Symbol	Test Condition	Quadrant	Value		Unit
I_{BT}	$V_{GS}=12\text{V}$ $R_L=33\Omega$	I - II - III	MAX.	35	mA
V_{GT}		I - II - III	MAX.	1	V
V_G	$V_{GS}=V_{RMS}$ $T_j=150^\circ\text{C}$ $R_L=3.3\text{K}$	I - II - III	MIN	0.2	V
I_L	$I_{BT}=1.2 I_{BT}$	I - III	MAX.	50	mA
		II		60	
I_H	$I_H=500\text{mA}$		MAX.	40	mA
dV/dt	$V_{GS}=400\text{V}$ $V_{DS}=0\text{V}$ $T_j=150^\circ\text{C}$		MIN	1200	V/ μs
$(dI/dt)_c$	$(dV/dt)_c=20\text{V}/\mu\text{s}$, $T_f=150^\circ\text{C}$		MIN.	18	A/ms
t_{on}	$I_{BT}=40\text{mA}$ $I_H=200\text{mA}$ $I_{TR}=20\text{mA}$ $T_f=25^\circ\text{C}$		TYP.	10	μs
t_{off}				80	

Symbol	Parameter		Value(MAX.)	Unit
V_{TM}	$I_{RM}=35\text{A}$ $t_p=380\mu\text{s}$	$T_f=25^\circ\text{C}$	1.4	V
V_{TO}	$I_{DS(on)}$ I_{DVS}	$T_f=150^\circ\text{C}$	0.72	V
$R_{\theta(j-c)}$	I_{DM}	$T_f=150^\circ\text{C}$	19	$^\circ\text{C}/\text{W}$
$R_{\theta(j-c)}$	$V_{GS}=V_{RMS}$ $V_R=V_{RRM}$	$T_f=25^\circ\text{C}$	5	μA
$R_{\theta(j-c)}$		$T_f=150^\circ\text{C}$	4	mA

Symbol	Parameter		Value	Unit
$R_{\theta(j-c)}$	I_{DM}	I_{DM}	1	$^\circ\text{C}/\text{W}$
$R_{\theta(j-a)}$	I_{DM}	I_{DM}	45	$^\circ\text{C}/\text{W}$

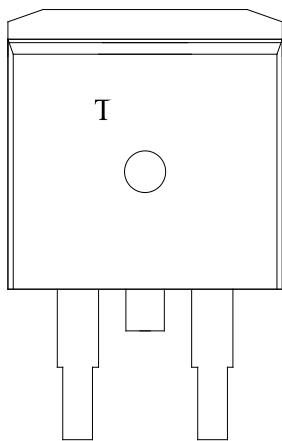
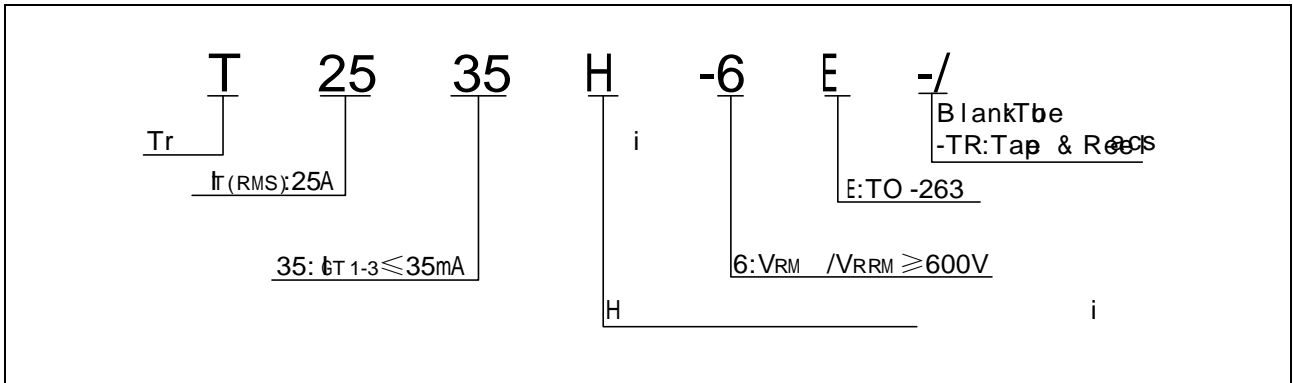


FIG.1 Max
be cont n-

i

FIG.2: RMS -be cont camp o
empab ord

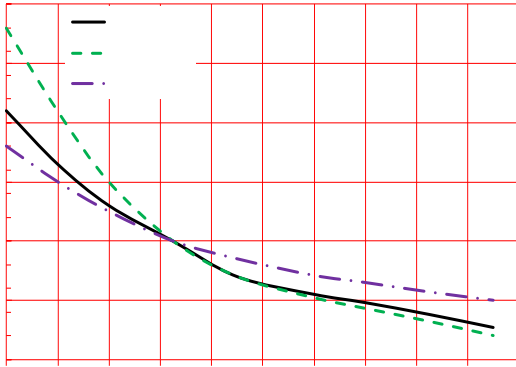
FIG.7: Relat

h o Id
jact

i
i

ear

ng centand lath
n empab

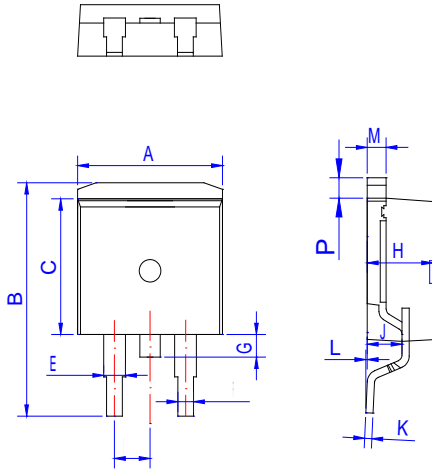




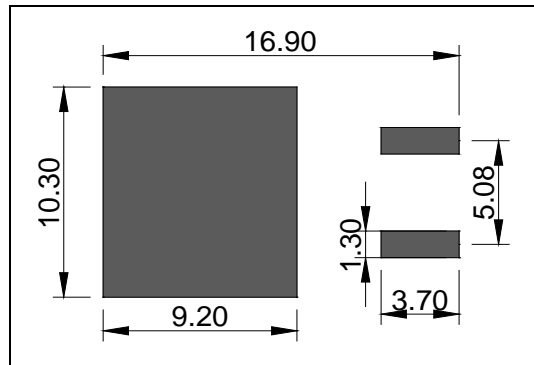
Order code	Voltage V _{DRM} /V _{RRM} (V)	IGT(mA)	Package	Base qty. (pcs)	Delivery mode
		- -			
T2535H-6E	600	35	TO-263	50	Tube
T2535H-6E-TR				800	Tape & Reel

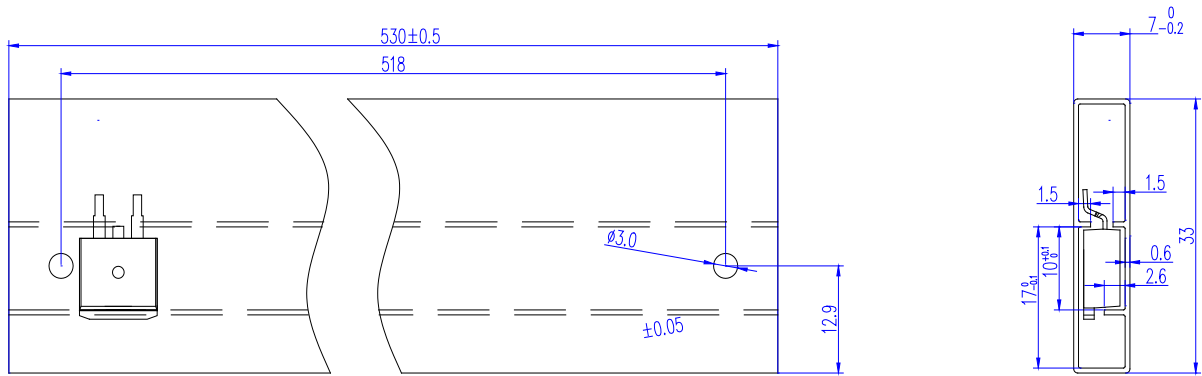
Document Revision History

date	Rev	Changes
Apr. 10, 2023	A. 1.0	Released

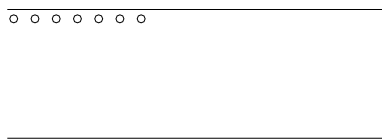


Ref.	Dimensions					
	M			Inches		
	M	T ϕ	Max	M	T ϕ	Max
A	9.90		10.20	0.390		0.402
B	14.70		15.80	0.579		0.622
C	9.40		9.60	0.37		0.378
	2.40		2.70	0.094		0.106
E	1.20		1.50	0.047		0.059
	0.75		0.85	0.029		0.033
G	1.00		1.50	0.039		0.059
H	4.40		4.70	0.173		0.185
J	2.30		2.70	0.091		0.106
K	0.38		0.55	0.015		0.022
L	0	0.10	0.25	0	0.004	0.010
M	1.25		1.35	0.049		0.053
P	1.20		1.50	0.047		0.059





PACKAGE	OUTLINE	TUBE (PCS)	INNER BOX (PCS)	PER CARTON
TO-263	TUBE	50	1,000	5,000



Ref.	M			Inches		
	M	Tp	Max	M	Tpi	Max
	W	23.70	24.00	24.30	0.933	0.945
E	1.65	1.75	1.85	0.065	0.069	0.073
i	11.40	11.50	11.60	0.449	0.453	0.457
0	-	1.50	1.60	-	0.059	0.063
1	-	1.50	1.60	-	0.059	0.063
P0	3.90	4.00	4.10	0.154	0.157	0.161
P1	15.90	16.00	16.10	0.626	0.630	0.634
P2	1.90	2.00	2.10	0.075	0.079	0.083
A0	10.80	10.90	11.00	0.425	0.429	0.433
B0	16.20	16.30	16.40	0.638	0.642	0.646
K0	4.80	4.90	5.00	0.189	0.193	0.197
t	0.35	0.40	0.45	0.014	0.016	0.018

Information in this document is intended to provide a general overview of the product and is not intended to be used as a design specification. The information in this document is subject to change without notice. The information in this document is provided for informational purposes only. The information in this document is not intended to be used as a design specification. The information in this document is provided for informational purposes only.

Copyright © 2023 JieJie Microelectronics Co., Ltd. All rights reserved.