

ELECTRICAL CHARACTERISTICS

Symbol	Test Condition	Quadrant	Value	Unit

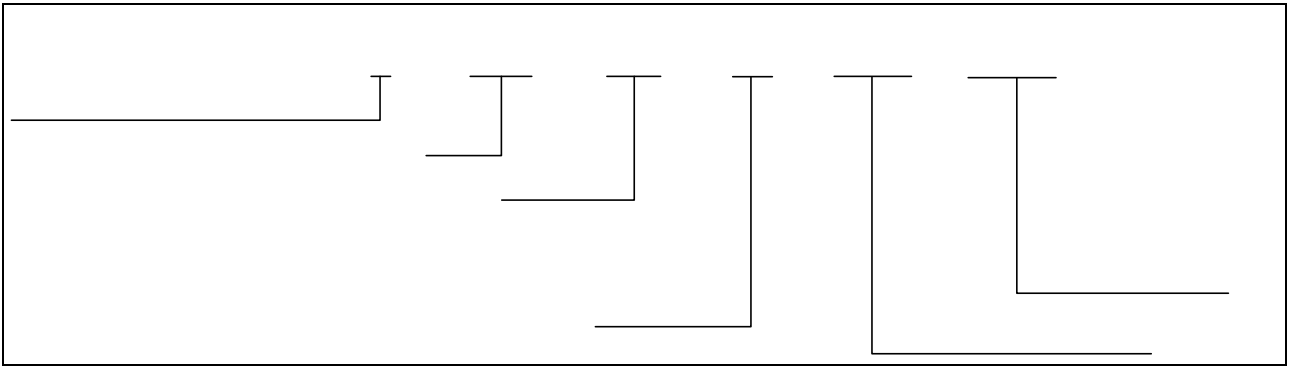
STATIC CHARACTERISTICS

Symbol	Parameter	Value(MAX.)	Unit

THERMAL RESISTANCES

Symbol	Parameter	Value	Unit

ORDERING INFORMATION



MARKING

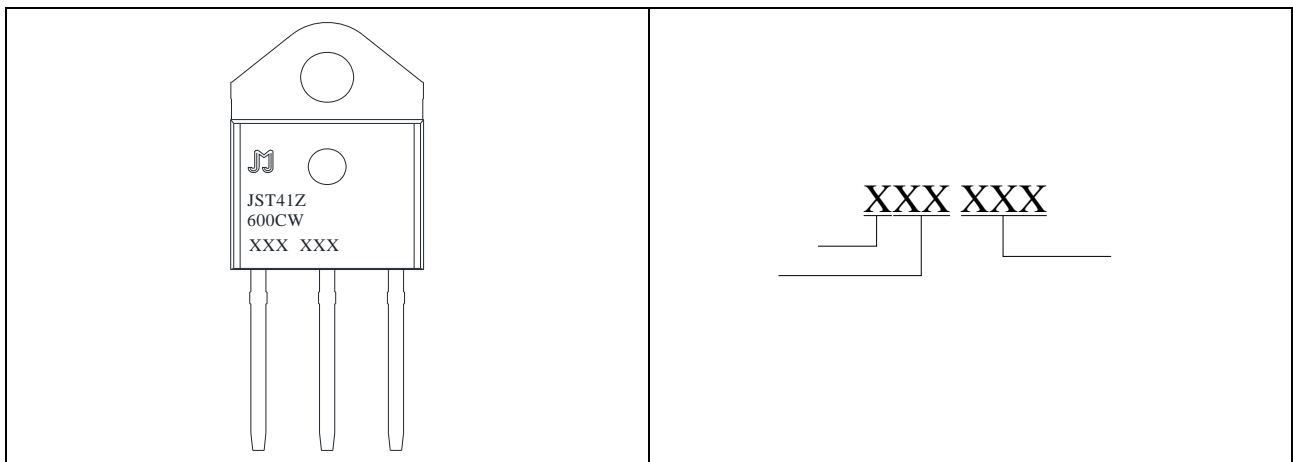


FIG.1

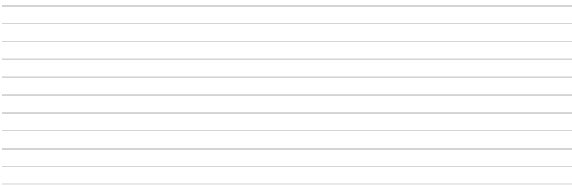
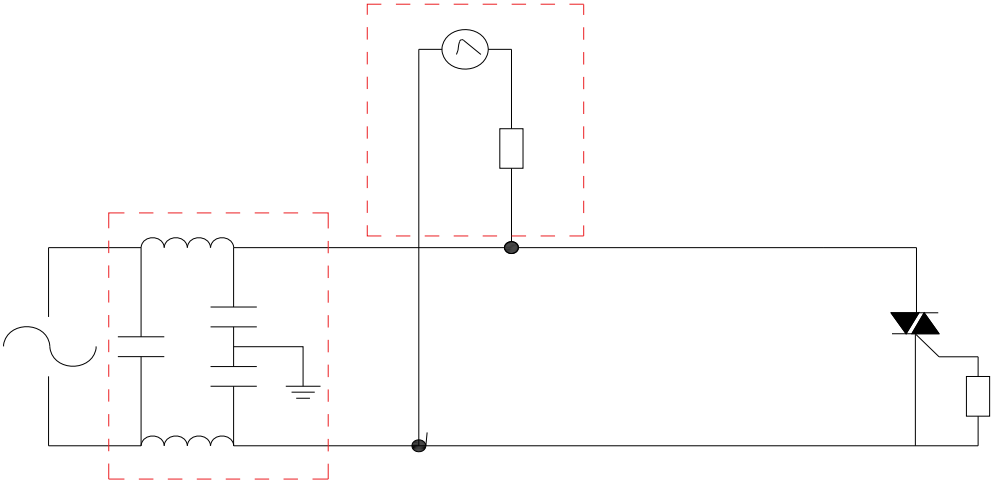


FIG.2:



ORDERING INFORMATION

Order code	Voltage V _{DRM} /V _{RRM} (V)	IGT(mA)	Package	Base qty. (pcs)	Delivery mode
		- -			
JST41Z-600CW	600	35	TO-3P(Ins)	30	Tube

Document Revision History

PACKAGE MECHANICAL DATA

