



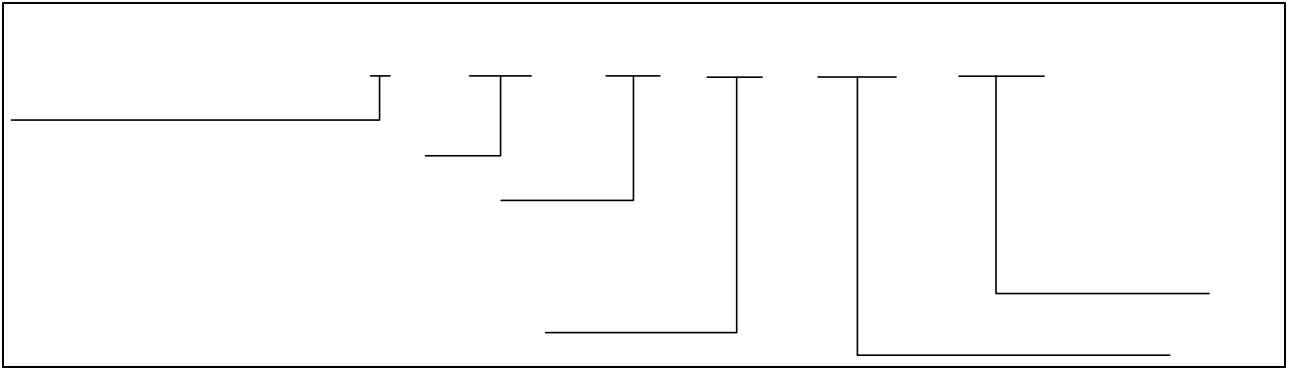

**ELECTRICAL CHARACTERISTICS**

Symbol	Test Condition	Quadrant	Value	Unit

**STATIC CHARACTERISTICS**

Symbol	Parameter	Value(MAX.)	Unit

ORDERING INFORMATION



MARKING

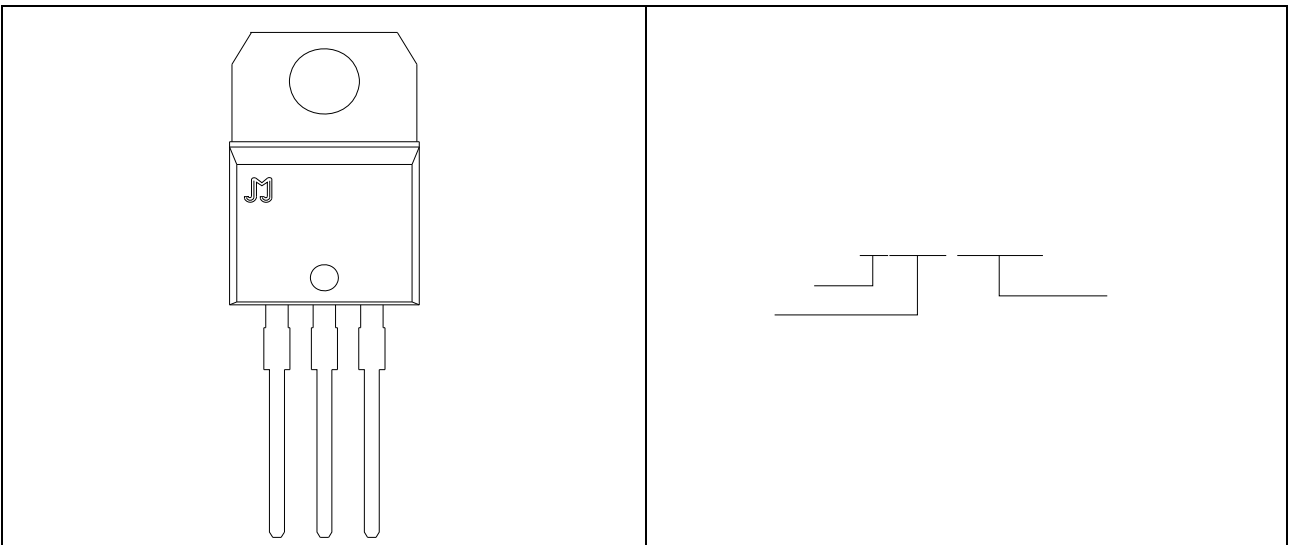


FIG.1

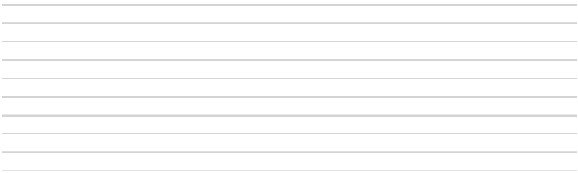


FIG.2:



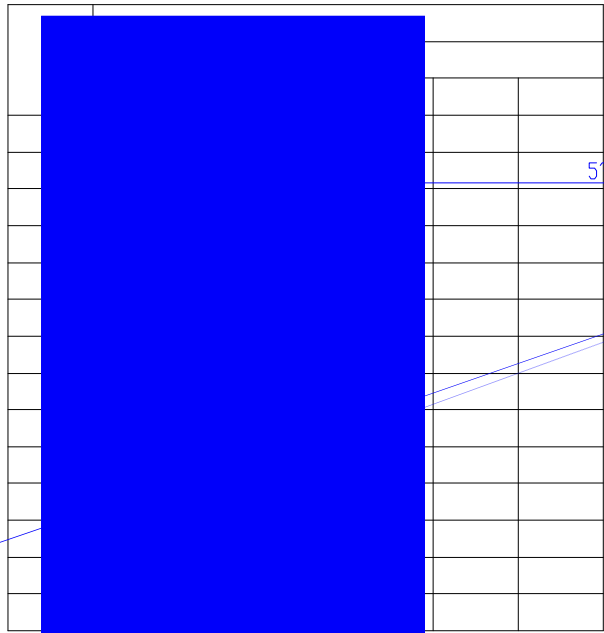
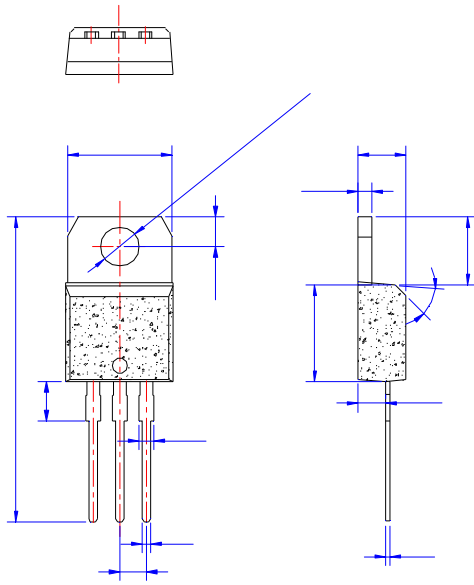
**ORDERING INFORMATION**

Order code	Voltage V <sub>DRM</sub> /V <sub>RRM</sub> (V)	IGT(mA)	Package	Base qty. (pcs)	Delivery mode
		- -			
<b>JST20A-800CW</b>	<b>800</b>	<b>35</b>	<b>TO-220A(Ins)</b>	<b>50</b>	<b>Tube</b>

**Document Revision History**

# JST20A-800CW

## PACKAGE MECHANICAL DATA



### DELIVERY MODE

