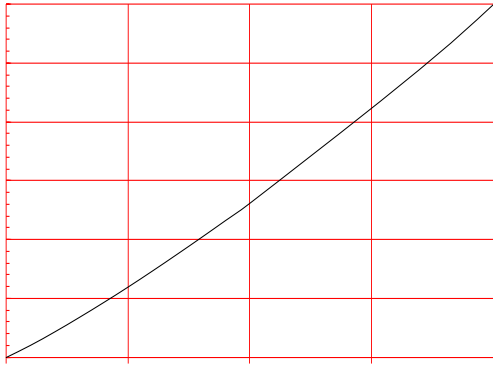
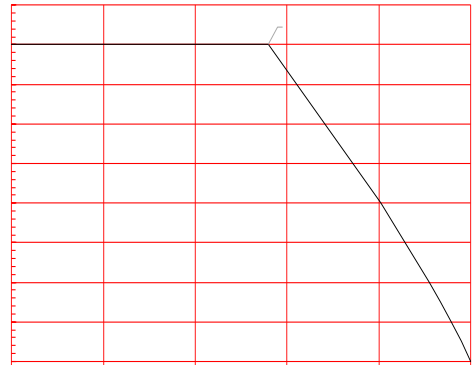


**FIG.1** Maximum power dissipation versus RMS on-state current



**FIG.2:** RMS on-state current versus case temperature

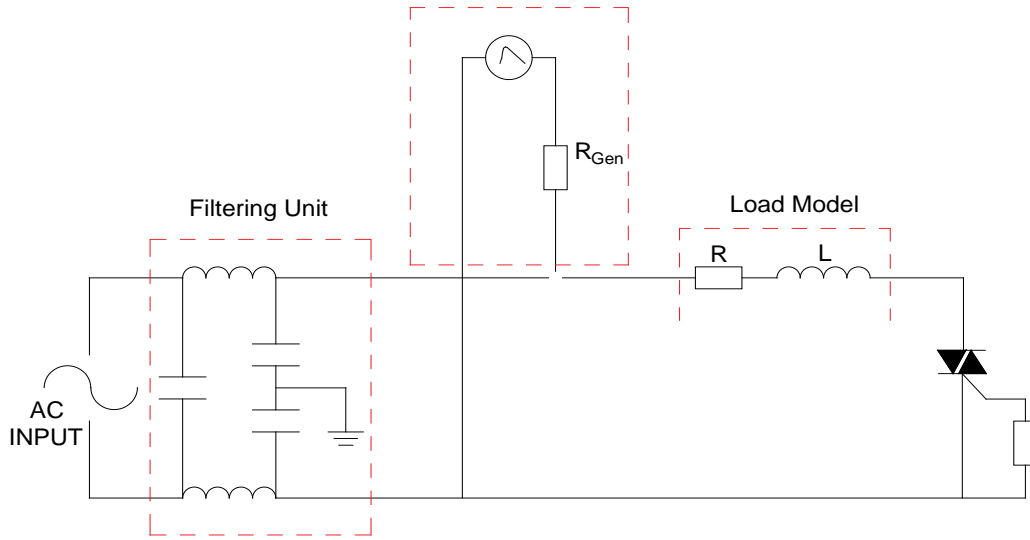


**FIG.3:** Surge peak on-state current versus number of cycles

**FIG.4:** On-state characteristics

FIG.7 Test circuit for inductive and resistive loads to IEC-61000-4-5 standards

IEC61000-4-5 Standards  
Surge Generator



Order code	Voltage $V_{DRM}/V_{RRM}$ (V)	IGT(mA)		Package	Base qty. (pcs)	Delivery mode
		-	-			
JST139F-800E	800	10	25	TO-220F(Ins)	50	Tube

**Document Revision History**

Date	Revision	Changes
------	----------	---------



1

