

Symbol	Test Condition	Quadrant	Value		Unit

Symbol	Parameter		Value(MAX.)	Unit

Symbol	Parameter	Value	Unit

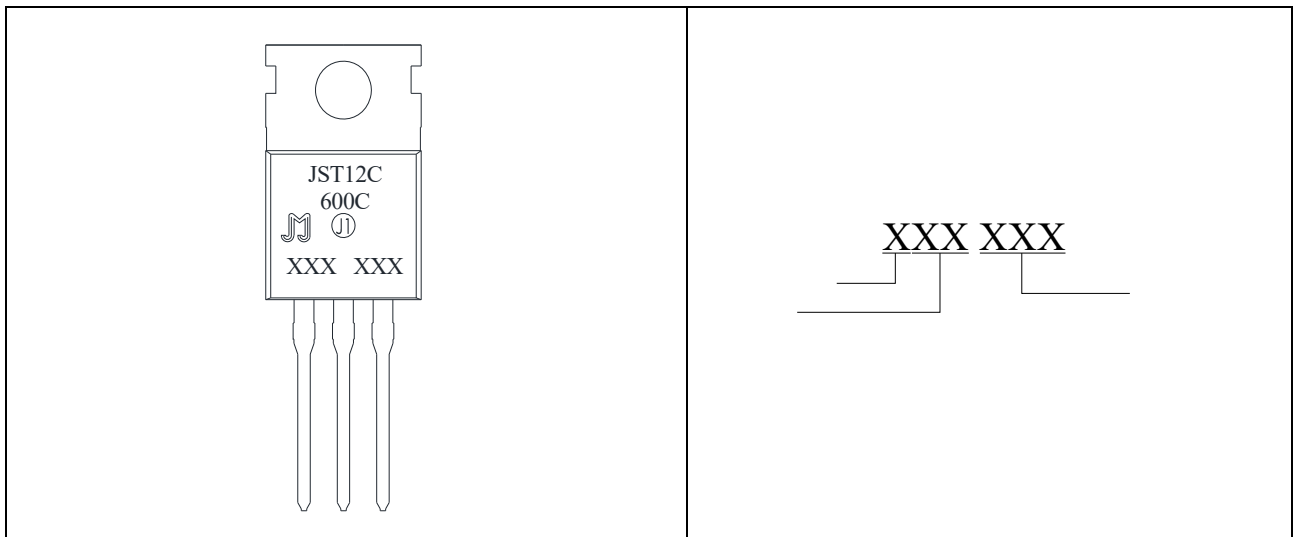
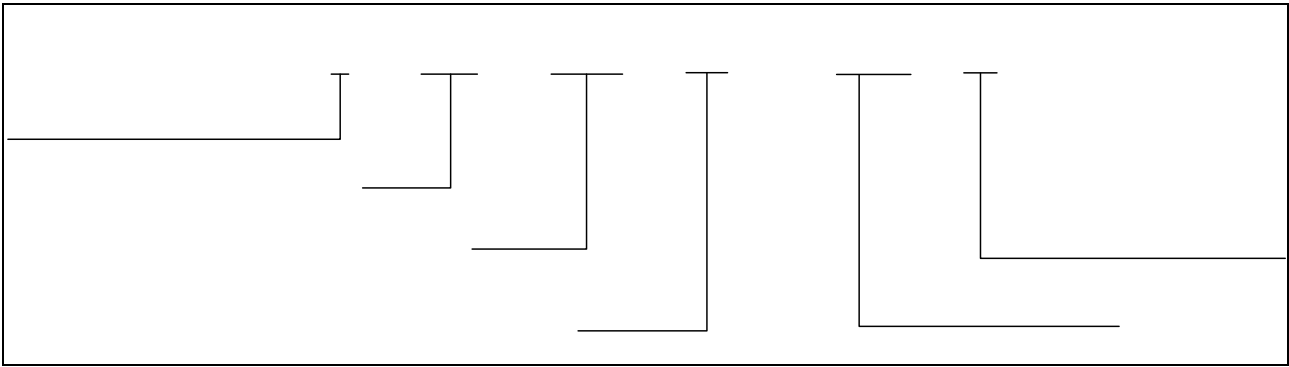


FIG.1

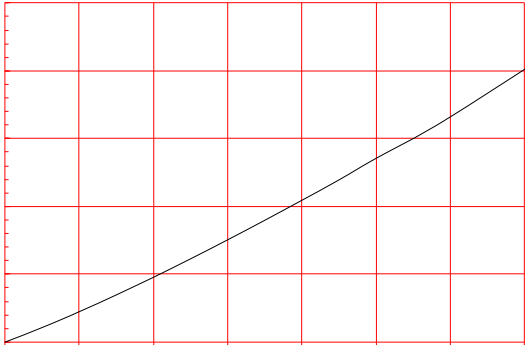
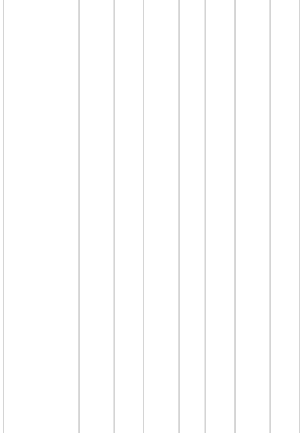
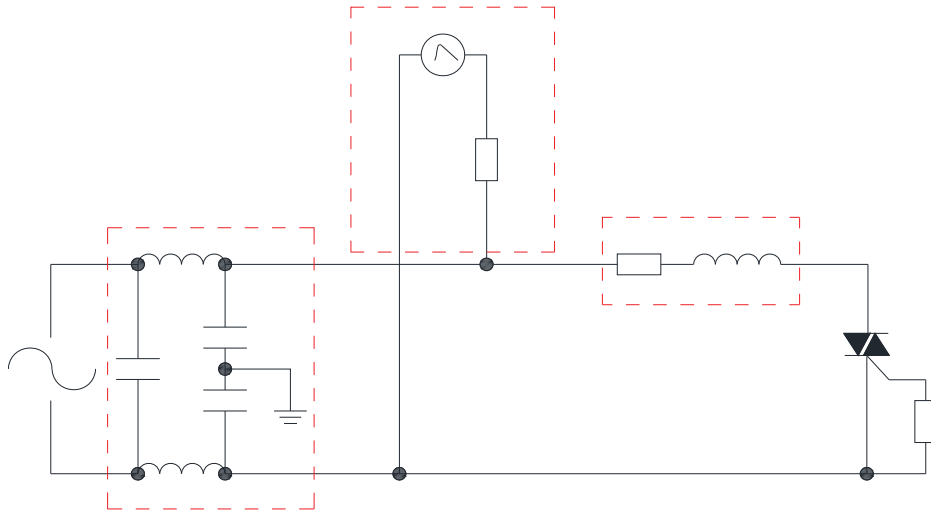


FIG.2:

FIG.3:





Order code	Voltage V _{DRM} /V _{RRM} (V)	IGT(mA)		Package	Base qty. (pcs)	Delivery mode
		-	-			
JST12C-600C	600	25	50	TO-220C	50	Tube

Document Revision History

Document Revision History		

