

--	--	--	--

ELECTRICAL CHARACTERISTICS

Symbol	Test Condition	Quadrant	Value	Unit

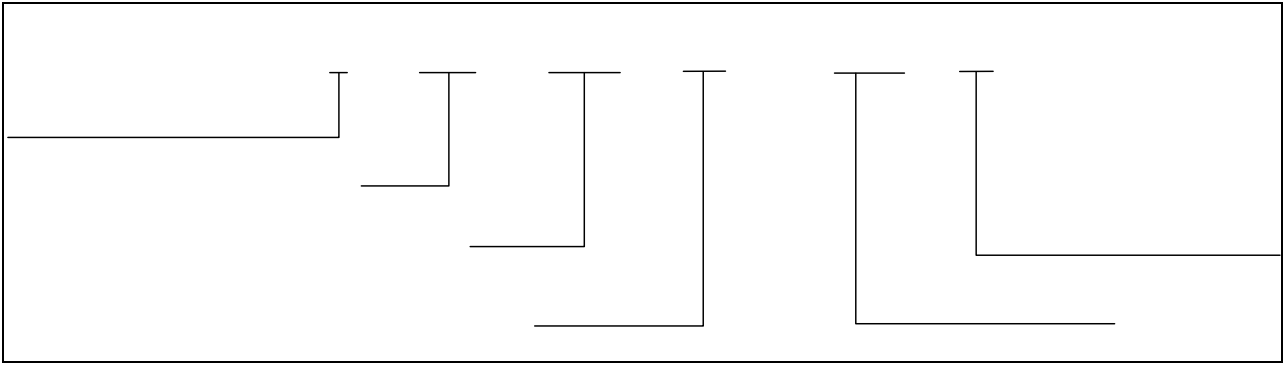
STATIC CHARACTERISTICS

Symbol	Parameter	Value(MAX.)	Unit

THERMAL RESISTANCES

Symbol	Parameter	Value	Unit

ORDERING INFORMATION



MARKING

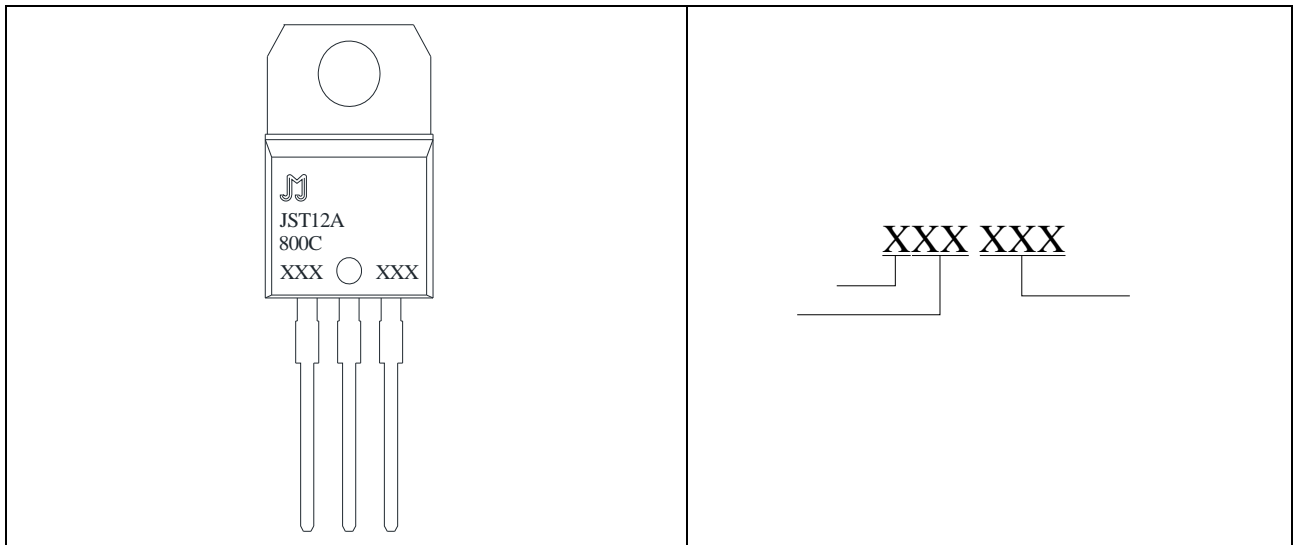


FIG.1

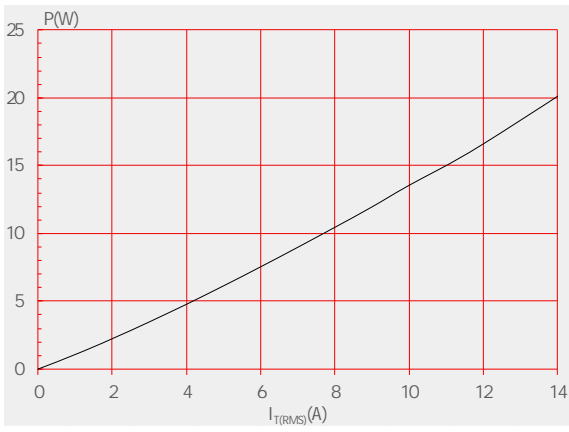


FIG.2:

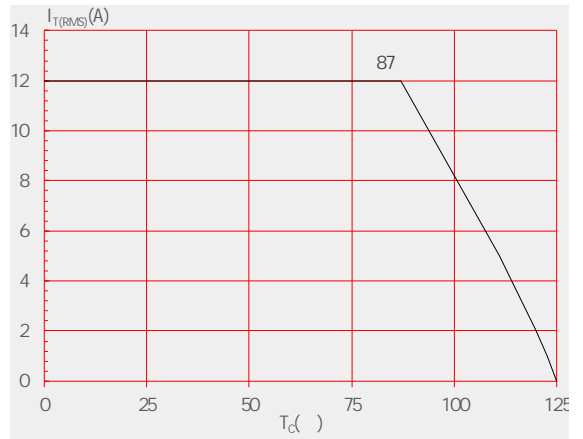


FIG.3:

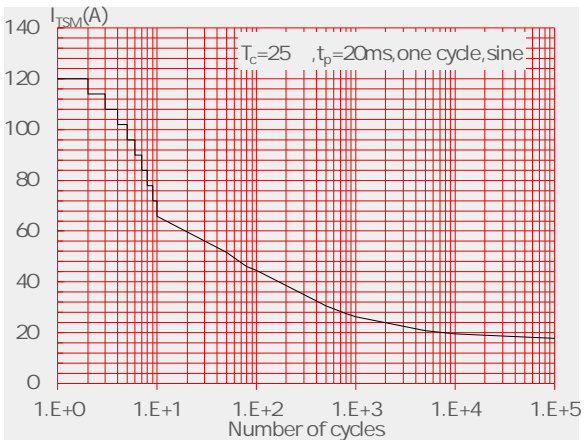
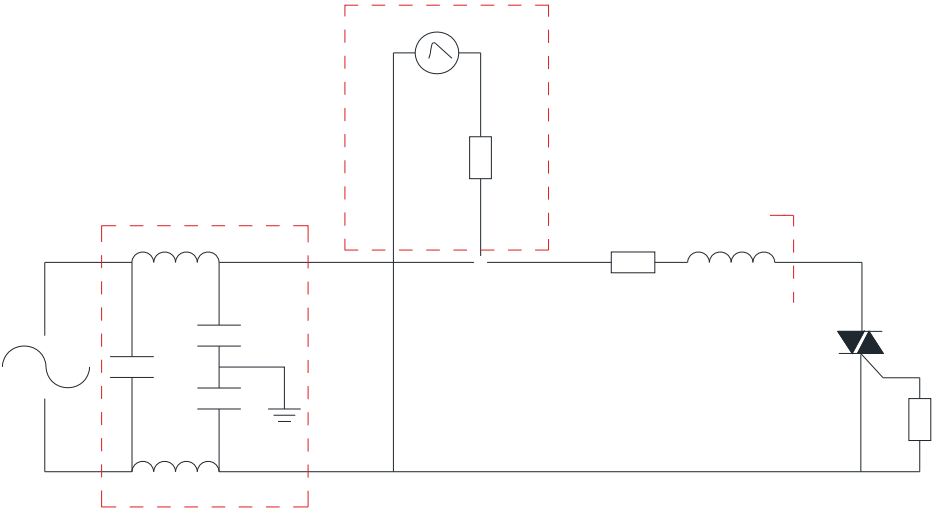


FIG.4:

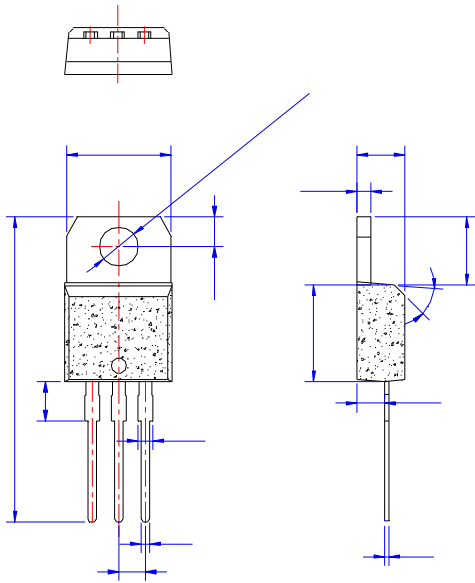




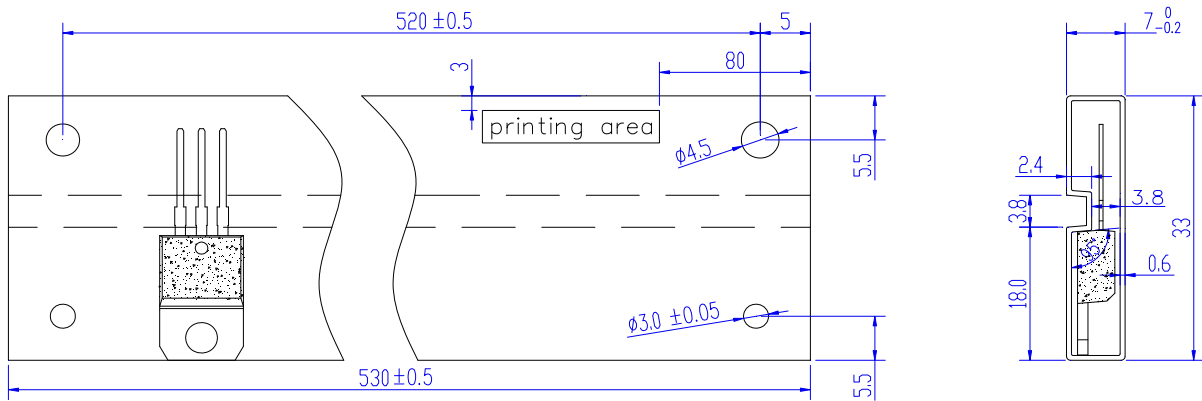
ORDERING INFORMATION

Order code	Voltage V_{DRM}/V_{RRM} (V)	IGT(mA)	Package	Base qty. (pcs)	Delivery mode
-------------------	---	----------------	----------------	----------------------------	----------------------

PACKAGE MECHANICAL DATA



DELIVERY MODE



PACKAGE	OUTLINE	TUBE (PCS)	INNER BOX (PCS)	PER CARTON

