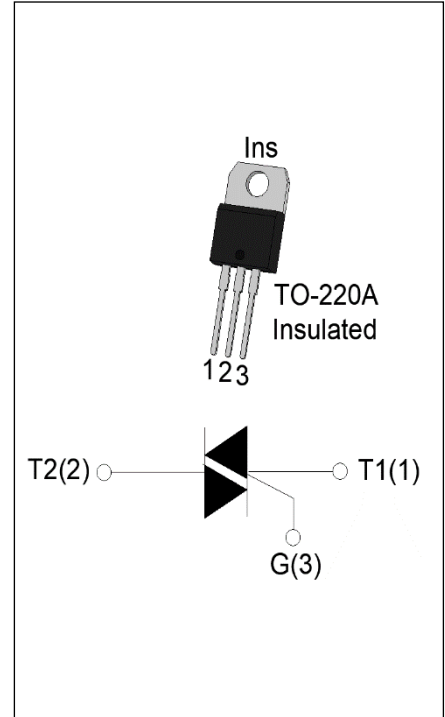




DESCRIPTION:



MAIN FEATURES

I II III IV		

ABSOLUTE MAXIMUM RATINGS

Parameter	Symbol	Value	Unit
			°C
			°C
			°C
			°C
$\leq$			°C
			°C
			°C
			°C
×	°C	I II	
		III IV	
			°C
			°C

°C			
----	--	--	--

**ELECTRICAL CHARACTERISTICS**      °C

Symbol	Test Condition	Quadrant	Value	Unit
		I II III		
		IV		
	°C			
		I III IV		
		II		
		°C		
		°C		
	°C			

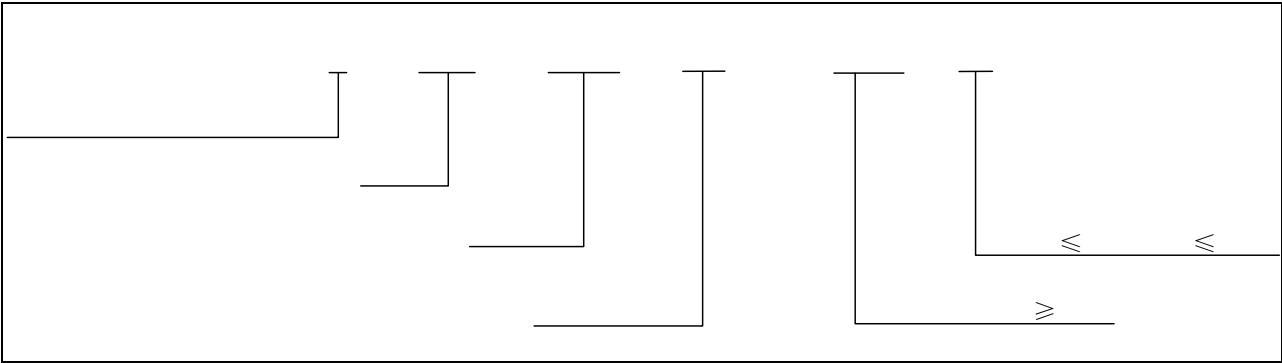
**STATIC CHARACTERISTICS**

Symbol	Parameter	Value(MAX.)	Unit
		°C	
		°C	
		°C	
		°C	
		°C	

**THERMAL RESISTANCES**

Symbol	Parameter	Value	Unit
			°C
			°C

ORDERING INFORMATION



MARKING

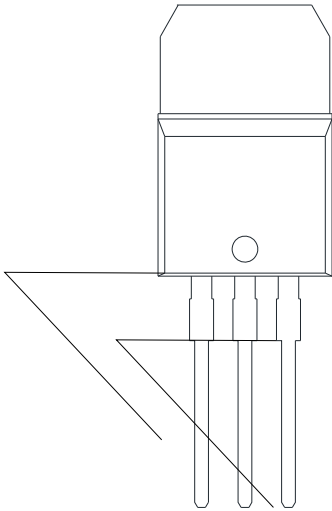


FIG.1

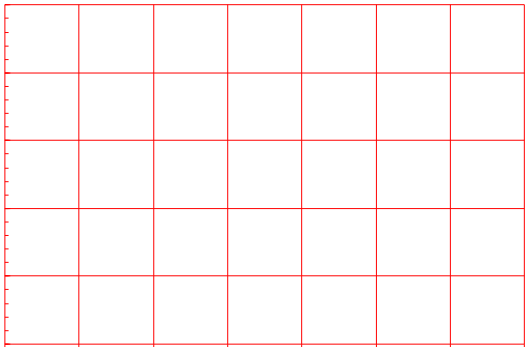
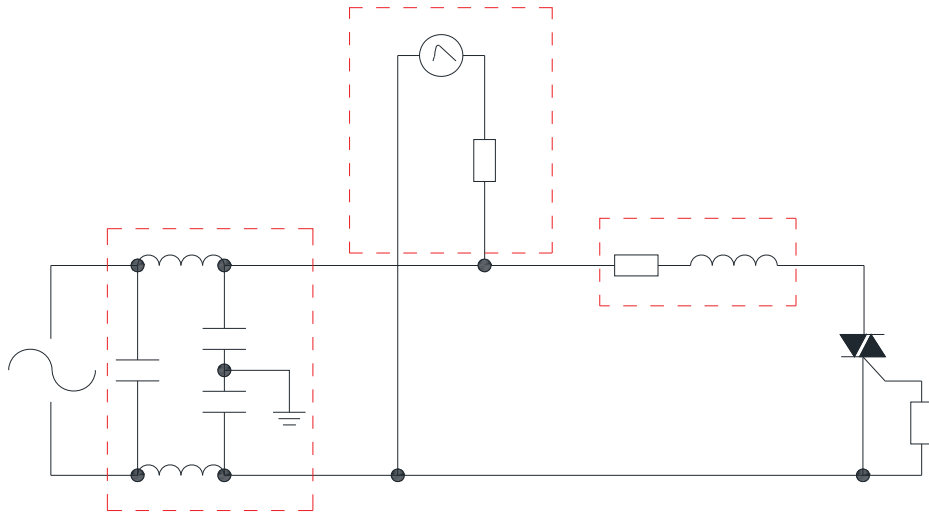


FIG.2:

:



### SHAPING AND SOLDERING PARAMETERS

《

》

**ORDERING INFORMATION**

Order code	Voltage $V_{DRM}/V_{RRM}$ (V)	IGT(mA)		Package	Base qty. (pcs)	Delivery mode
		-	-			
JST12A-600C	600	25	50	TO-220A(Ins)	50	Tube

**Document Revision History**

Document Revision History		



