



--	--	--	--

Symbol	Test Condition	Quadrant	Value	Unit

Symbol	Parameter	Value(MAX.)	Unit

Symbol	Parameter	Value	Unit

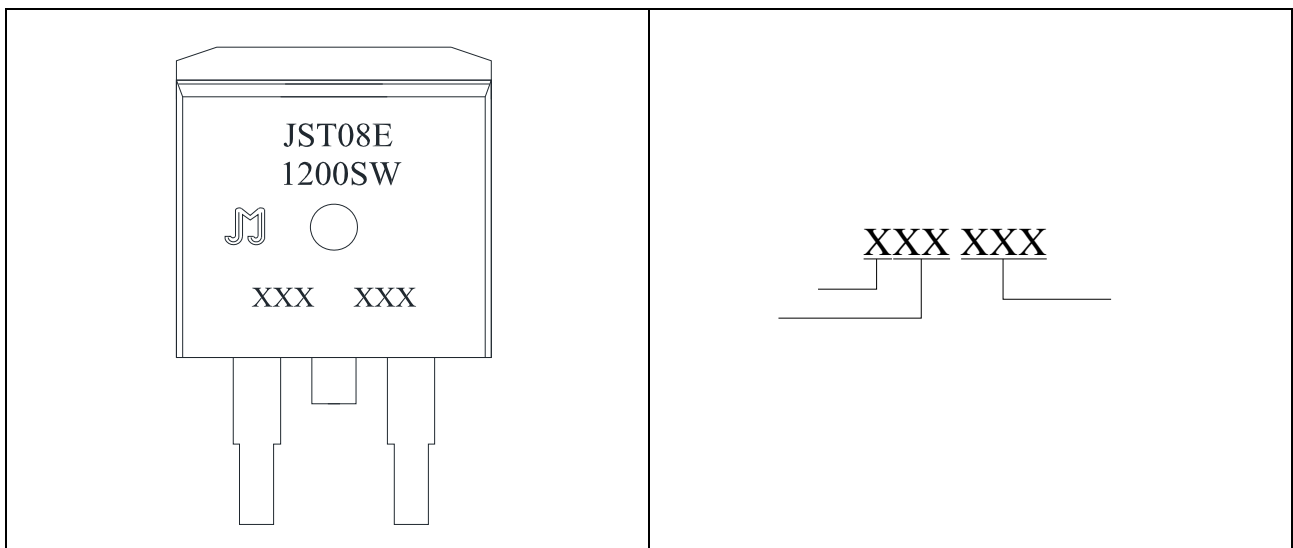
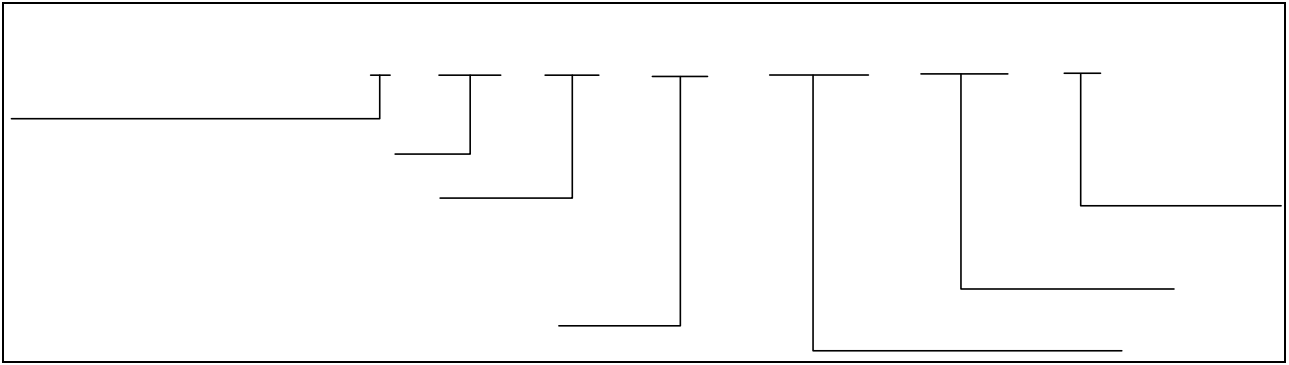


FIG.1

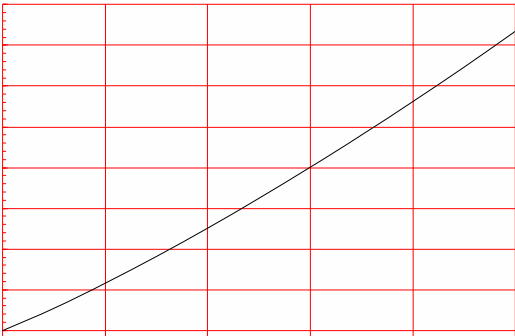


FIG.2:

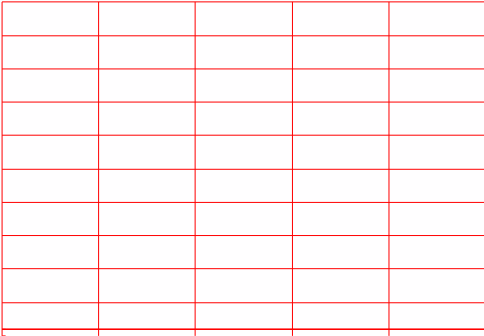
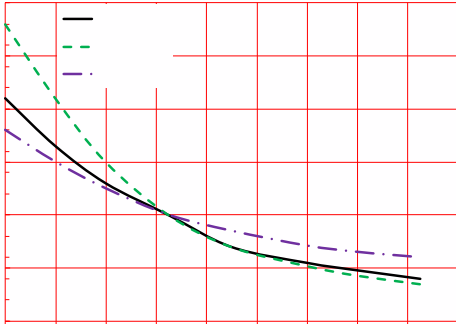
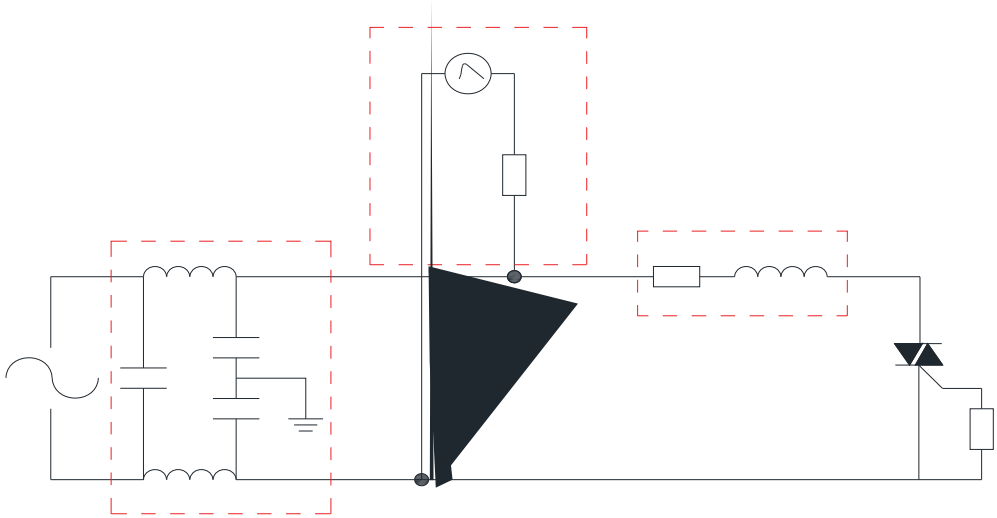


FIG.7:





Order code	Voltage V _{DRM} /V _{RRM} (V)	IGT(mA)	Package	Base qty. (pcs)	Delivery mode
		- -			
JST08E-1200SW	1200	10	TO-263	50	Tube
JST08E-1200SW-TR				800	Tape & Reel

Document Revision History

Document Revision History		

