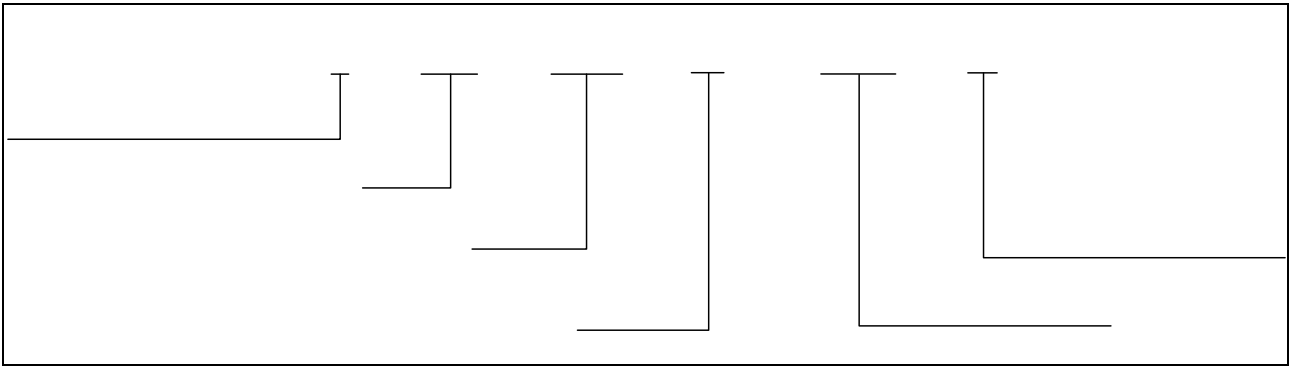


ELECTRICAL CHARACTERISTICS

Symbol	Test Condition	Quadrant	Value	Unit
---------------	-----------------------	-----------------	--------------	-------------

ORDERING INFORMATION



MARKING

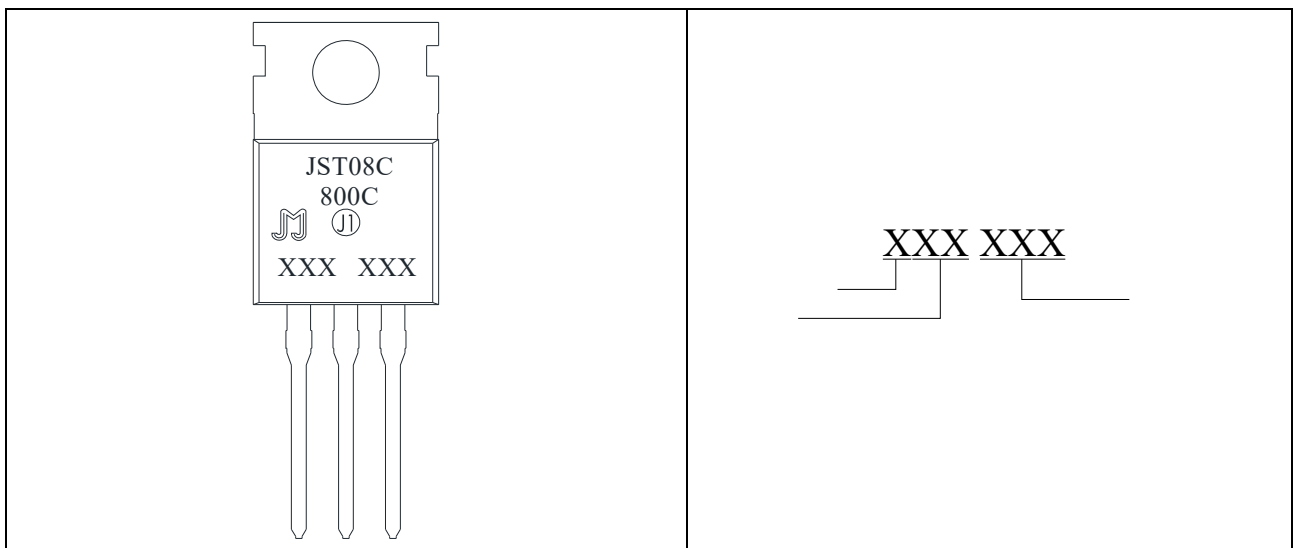


FIG.1

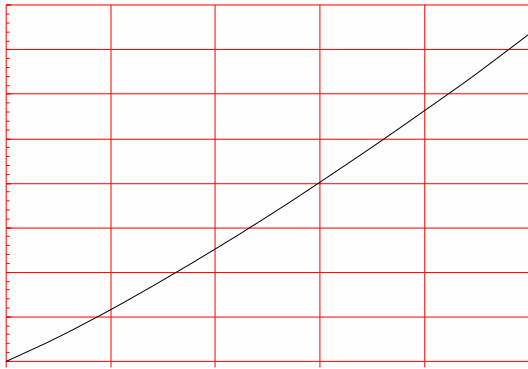
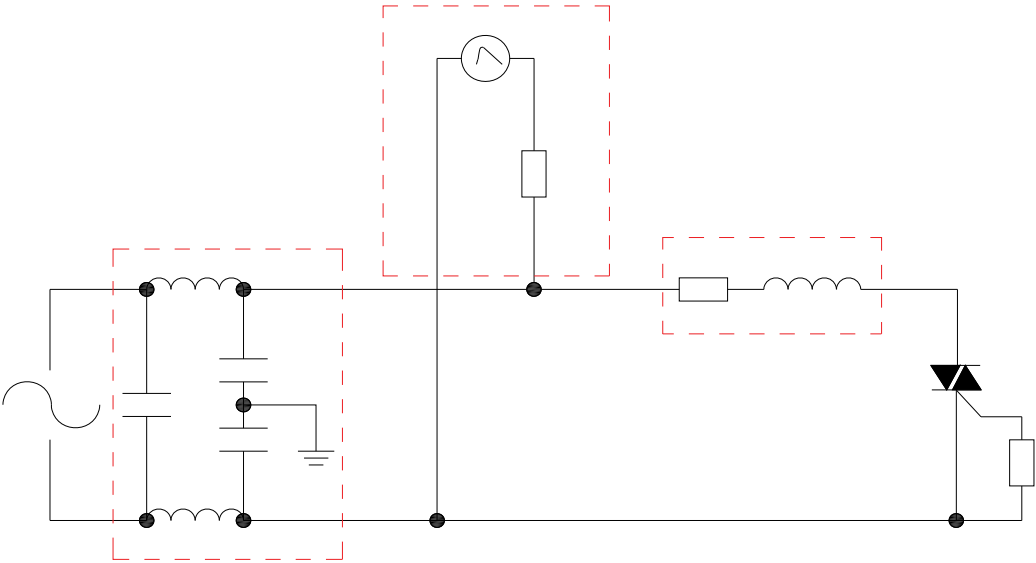


FIG.2:

FIG.3:



SHAPING AND SOLDERING PARAMETERS

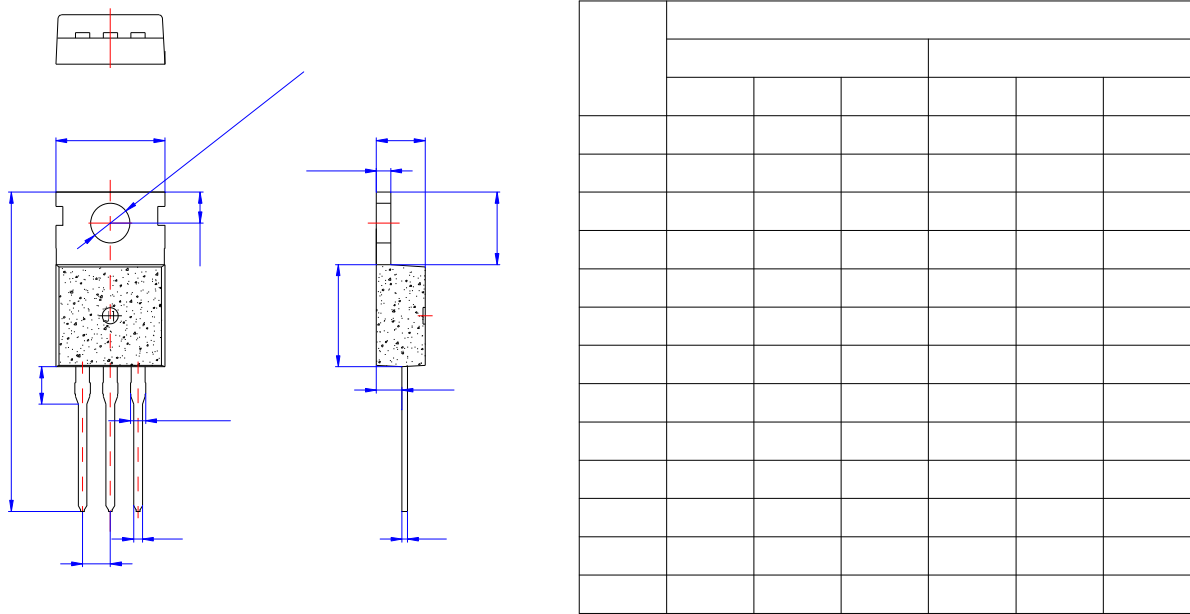
ORDERING INFORMATION

Order code	Voltage V_{DRM}/V_{RRM} (V)	IGT(mA)		Package	Base qty. (pcs)	Delivery mode
		-	-			
JST08C-800C	800	25	50	TO-220C	50	Tube

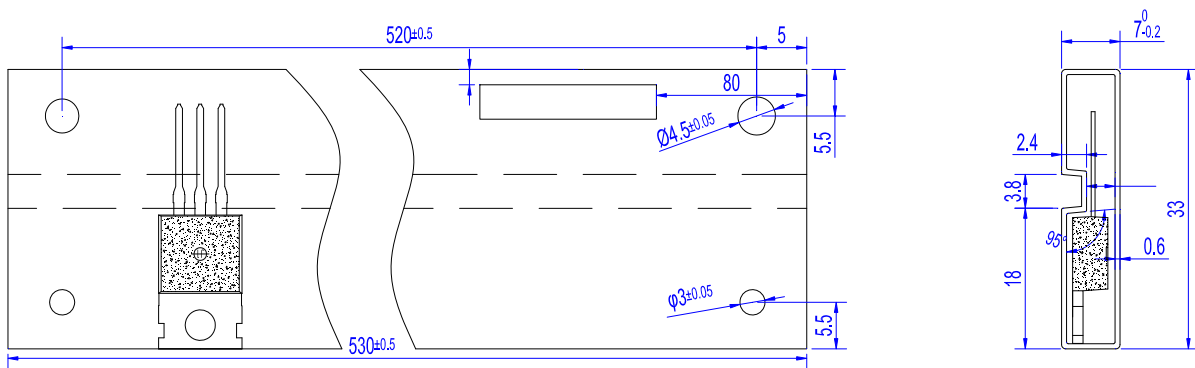
Document Revision History

Document Revision History		
	A.	

PACKAGE MECHANICAL DATA



DELIVERY MODE



PACKAGE	OUTLINE	TUBE (PCS)	INNER BOX (PCS)	PER CARTON

