



JST008U-800CW 0.8A TRIAC

Rev.A.1.0

The JST008U-800CW triac is suitable for general purpose AC switching. It can be used as an ON/OFF function in applications such as heating regulation, induction motor starting circuits, for phase control operation in light dimmers, motor speed controllers. JST008U-800CW snubberless triac is especially recommended for use on inductive loads. Complying with UL standards (File ref: E252906). Package TO-92 is RoHS compliant.

Parameter	Symbol	Value	Unit
Storage junction temperature range	T_{stg}	-40-150	
Operating junction temperature range	T_j	-40-125	
Repetitive peak off-state voltage ($T_j=25$)	V_{DRM}	800	V
Repetitive peak reverse voltage ($T_j=25$)	V_{RRM}	800	V
RMS on-state current ($T_c = 51$)	$I_{T(RMS)}$	0.8	A

Non repetitive surge peak on-state current
(full cycle , $t_p=20ms$, $T_j=25$)

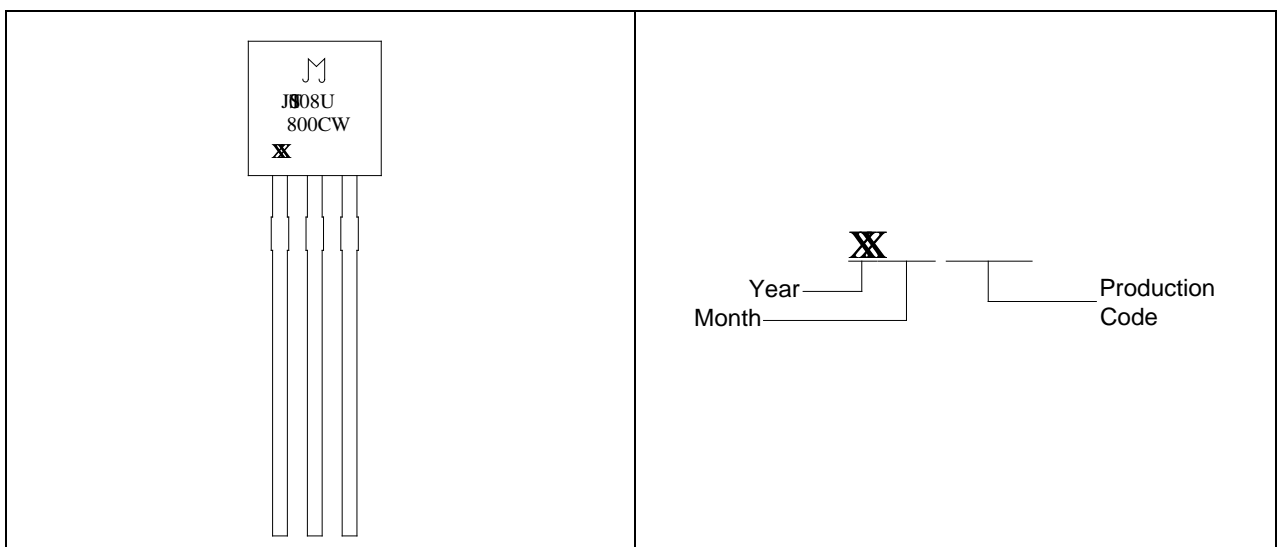
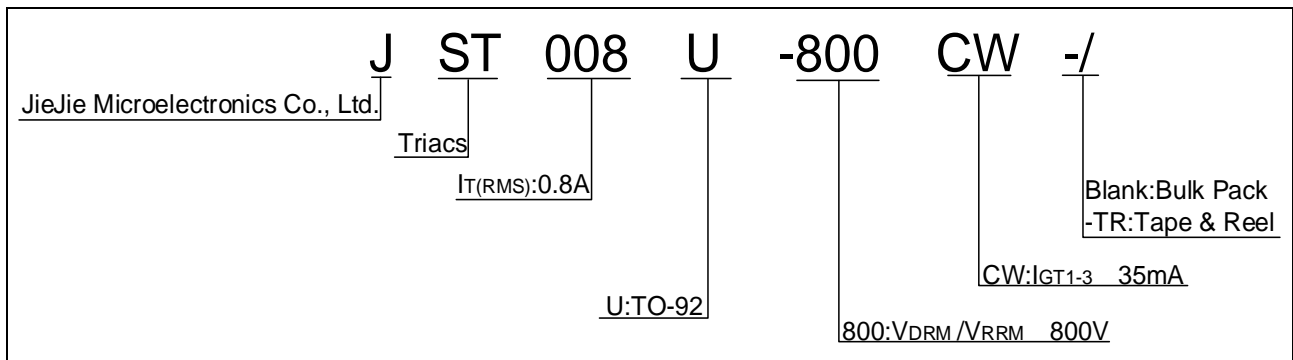
Peak pulse voltage ($T_j=25$; non-repetitive, off-state; FIG.7)	V_{pp}	1	kV
--	----------	---	----

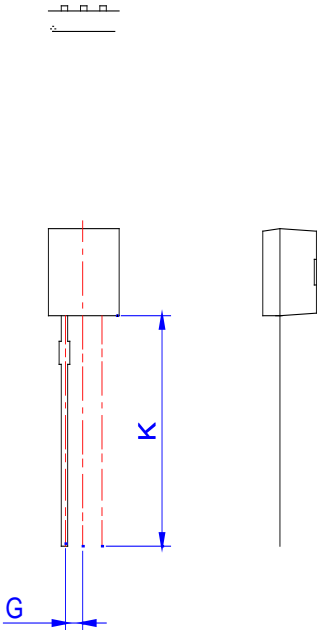
($T_j=25$ unless otherwise specified)

Symbol	Test Condition	Quadrant	Value		Unit
I_{GT}	$V_D=12V R_L=33$	- -	MAX.	35	mA
V_{GT}		- -	MAX.	1	V
V_{GD}	$V_D=V_{DRM} T_j=125$ $R_L=3.3K$	- -	MIN.	0.2	V
I_L	$I_G=1.2I_{GT}$	-	MAX.	40	mA
				50	
I_H	$I_T=100mA$		MAX.	30	mA
dV/dt	$V_D=540V$ Gate Open $T_j=125$		MIN.	1000	V/ μs
(dI/dt)c	(dV/dt)c=20V/ μs , $T_j=125$		MIN.	3	A/ms
t_{on}	$I_G=10mA I_A=200mA I_R=20mA$ $T_j=25$		TYP.	5	μs
t_{off}				50	

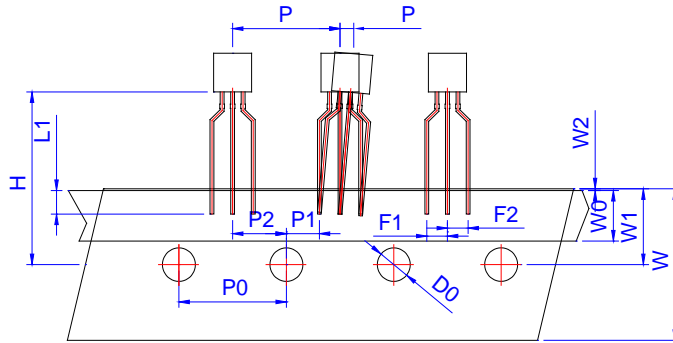
Symbol	Parameter		Value(MAX.)	Unit
V_{TM}	$I_{TM}=1A t_p=380\mu s$	$T_j=25$	1.5	V
V_{TO}	Threshold voltage	$T_j=125$	0.826	V
R_D	Dynamic resistance	$T_j=125$	428	m
I_{DRM}	$V_D=V_{DRM} V_R=V_{RRM}$	$T_j=25$	5	μA
I_{RRM}		$T_j=125$	0.15	mA

Symbol	Parameter	Value	Unit
$R_{th(j-c)}$	junction to case (AC)	65	$\text{}/W$
$R_{th(j-a)}$	junction to ambient (AC)	150	$\text{}/W$






PACKAGE	OUTLINE	BAG (PCS)	INNER BOX (PCS)	CARTON BOX (PCS)
TO-92	Bulk Pack	1,000	10,000	50,000



Information furnished in this document is believed to be accurate and reliable. However, Jiangsu JieJie Microelectronics Co., Ltd. assumes no responsibility for the consequences of use without consideration for such information nor use beyond it. Information mentioned in this document is subject to change without notice, apart from that when an agreement is signed, Jiangsu JieJie complies with the agreement.

Products and information provided in this document have no infringement of patents. Jiangsu JieJie assumes no responsibility for any infringement of other rights of third parties which may result from the use of such products and information. This document supersedes and replaces all information previously supplied.

 is a registered trademark of Jiangsu JieJie Microelectronics Co., Ltd.

Copyright ©2023 Jiangsu JieJie Microelectronics Co., Ltd. Printed All rights reserved.