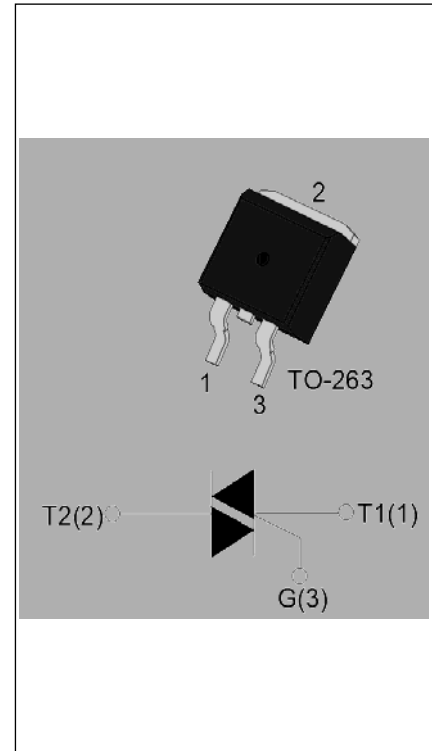




**DESCRIPTION:**

**MAIN FEATURES**

**ABSOLUTE MAXIMUM RATINGS**

x			



---

--	--	--	--

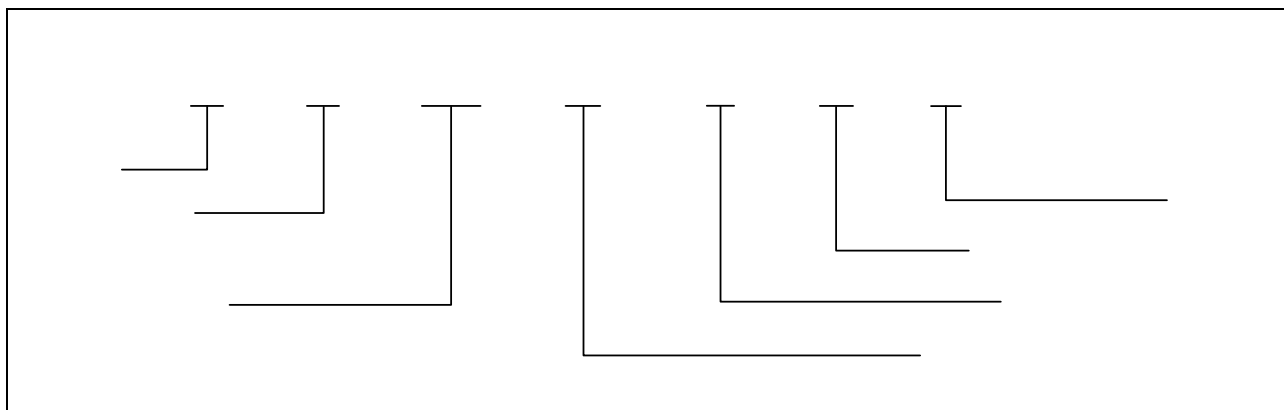
### ELECTRICAL CHARACTERISTICS


### STATIC CHARACTERISTICS

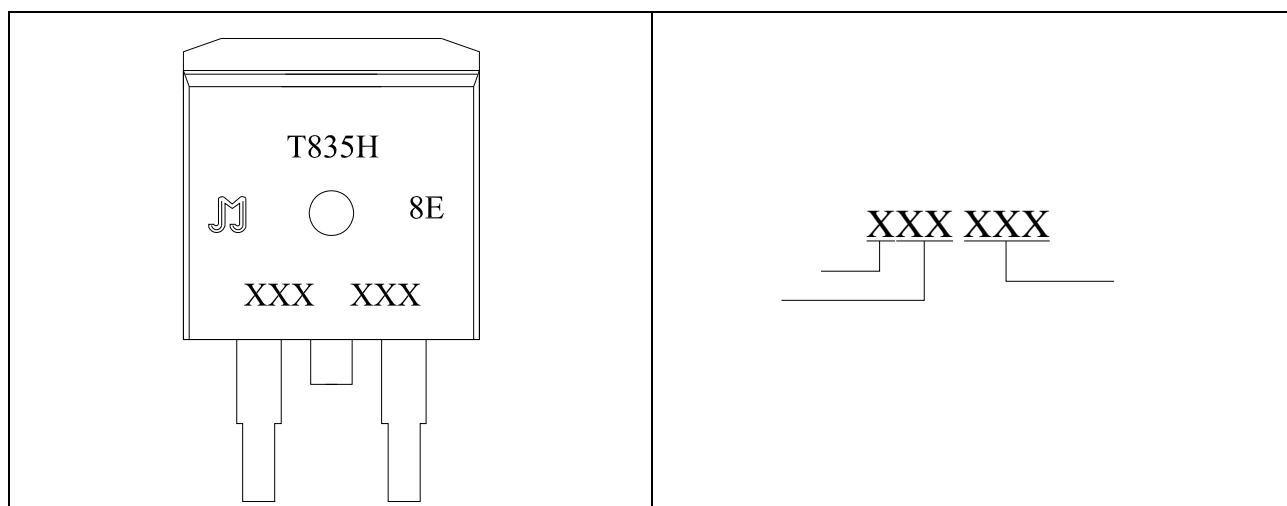

### THERMAL RESISTANCES



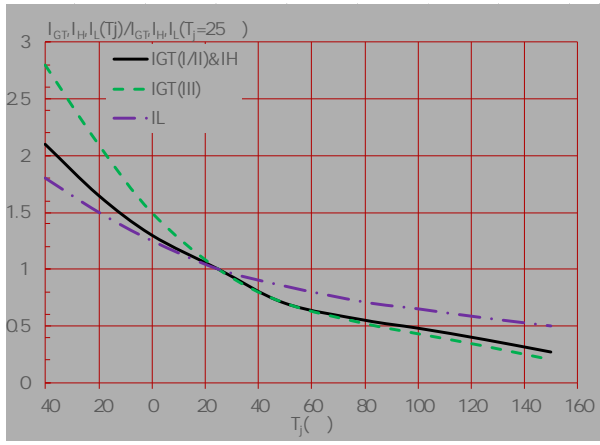

## ORDERING INFORMATION

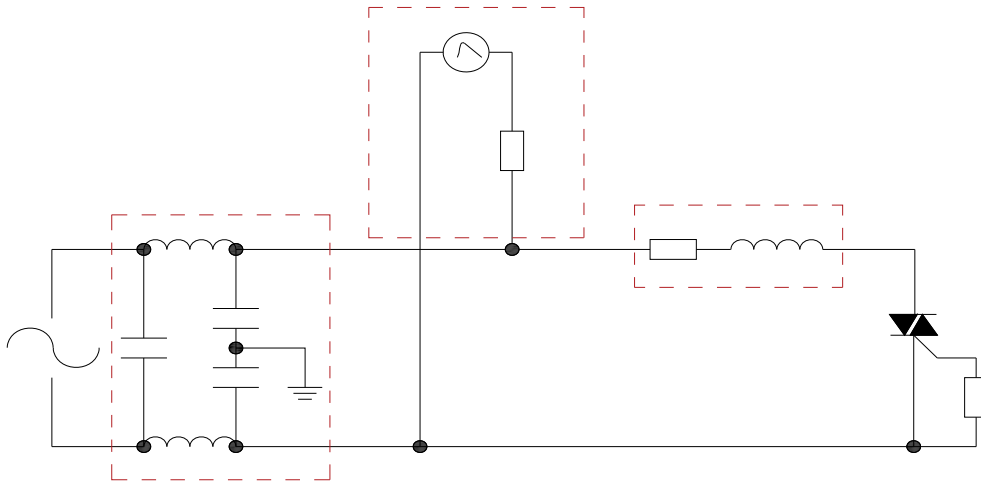


## MARKING

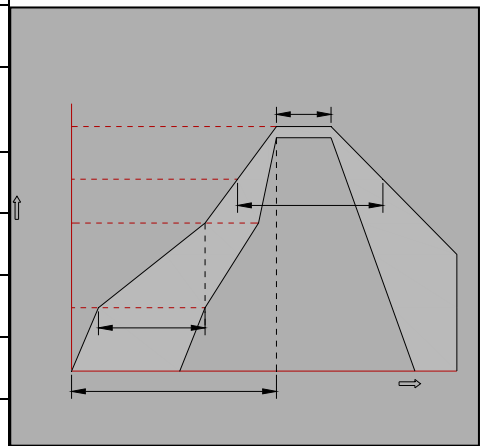


---





### SOLDERING PARAMETERS



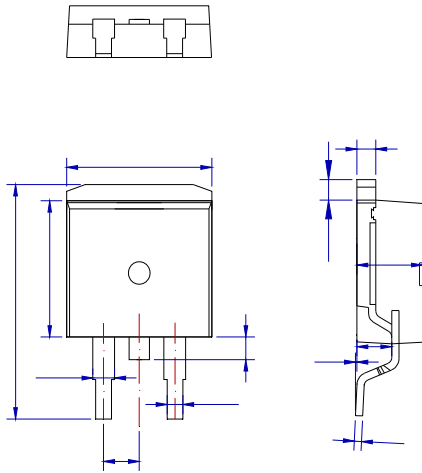


---

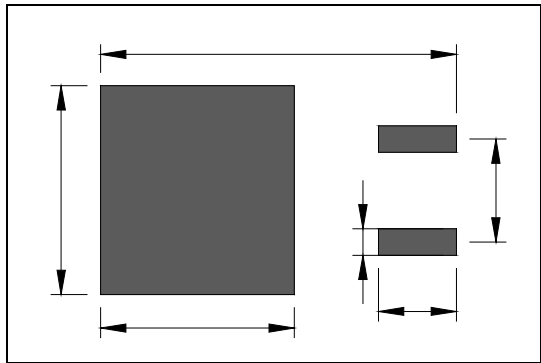
## ORDERING INFORMATION



**PACKAGE MECHANICAL DATA**




**FOOTPRINT TO 263 (dimensions in mm)**







# DELIVERY MODE

