



- , (- , (0 , & 5 2 (/ (& 7 5 2 1 , & 6 & 2 /

7 + & \$ 7 5 , \$ &

5HY \$

^ Z/Wd/KEW

7KH 7 + & WULDF LV VXLWDEOH IRU JHQUHO SXUSRVH \$
VZLWFKLQJ , W F D Q E H X) V H Q Q F W L R Q L Q
DSSOLFDWLRQV V H F K O D W K R Q W L Q G X F W L R Q P R W R U
VWDUWLQJ FLUFXLWV IRU SKDVH FRQWURO RSHUDWLRQ LG
PRWRU VSHHG FRQWUROOHUV & RPSDUHG WR WUDGLWLRQD
7 + & SURYLGHV KDV Z H W F K L Q J F D S D E L O L W \ X S W R
M X Q F W L R Q W H P S H U D W X U H V R I f &) U R P 7 W H U P L Q D O V W
H [W H U Q D O K H D W 7 2 L Q N & 3 D F 5 R D J 6 H F R P S O L D Q W

D /E & dhZ ^

^K>hd D y/DhD Z d/E'^^

3DUDPHWHU	6\PERO	9DOXH	
6WRUDJH M X S F W L R Q U W H P D Q J H V W J		7	
2SHUDWLQJ W H F K O D W K R Q W L Q G X F W L R Q U H	U D Q J H	7	
5HSHWLWLYH SHDN R M I V W D W H 9 1 0 Y R O W D J H		7	9
5HSHWLWLYH SHDN W H Y H U V H 9 5 6 Y R O W D J H		7	9
506 RQ VWDWH & F X U U H Q W	7 7, 506		\$
1RQ UHSHWLWLYH VXUJH SHDN R Q V W D W H F X U U H Q W			HQW
IXOO F s \ F O H P V M W			\$
1RQ UHSHWLWLYH VXUJH SHDN 7 6 0 R Q V W D W H F X U U H Q W			HQW
IXOO F s \ F O H P V W 7			\$
, W Y D O X H I R U P X V L Q J W	, W		\$ V
& U L W L F D O B D W G R W D W H F X U U H Q W	G, G W		\$ V
; h,*7 l +]M 7			\$
3HDN JDWH F X U U H Q W W	,*0		\$
\$YHUDJH JDWH SRZHU GLV V L S D W L R Q 7			:
3HDN JDWH SRZHU	3*0		:

8QL

\$ V

7 + &



-LH-LH 0LFURHOHFWURQLF

3HDN SXOVH YROWDJH 7M QRQ UHSHWLWLYH RII VWDWH), *			
--	--	--	--

> dZ/ > , Z d Z^d/ XQOHVV RWKHUZLVH VSHFLILHG

6\PERO	7HVW &RQGLWLRQ	4XDGUDQW	9DOXH
,7	9 9 5	0\$;	P\$
9*7		0\$;	9
9*	9 9.50 7M 5/ .	0,1	9
/	, * ;7	0\$;	P\$
,+	,7 P\$	0\$;	P\$
G9 GW	99 *DWH 2SHQ 7	0,1	9 V
G, GW	F G9 GW F 9 V	70,1	\$ PV
WQ	, P\$ \$, P\$ 5, P\$	7 < 3	V
W ₁₁	7M		

^d d/ , Z d Z/^d/ ^

6\PERO	3DUDPHWHU	9DOXH 0\$;	8QLW
970	70 \$, W V	M	
972	7KUHVKROG YROWDJH	7	
5'	'\QDPLF UHVLVWDQFH	7	P
,50	9 9.50 \$ 9.550	7M	
.550		7M	

d, ZD > Z ^/^d E ^

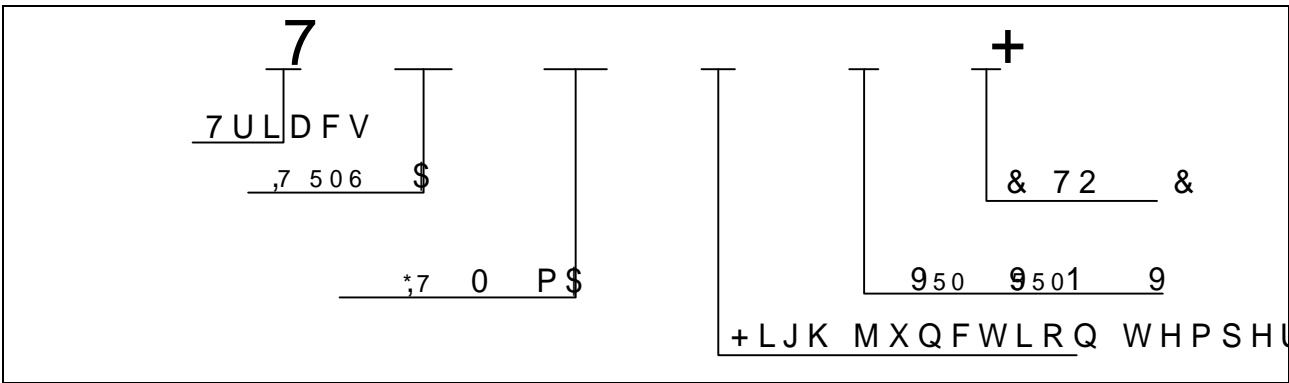
6\PERO	3DUDPHWHU	9DOXH	8QLW
5WK M	F MXQFWLRQ WR FDVH \$&		:
5WK M	D MXQFWLRQ WR DPELHQW \$&		:

7 + &

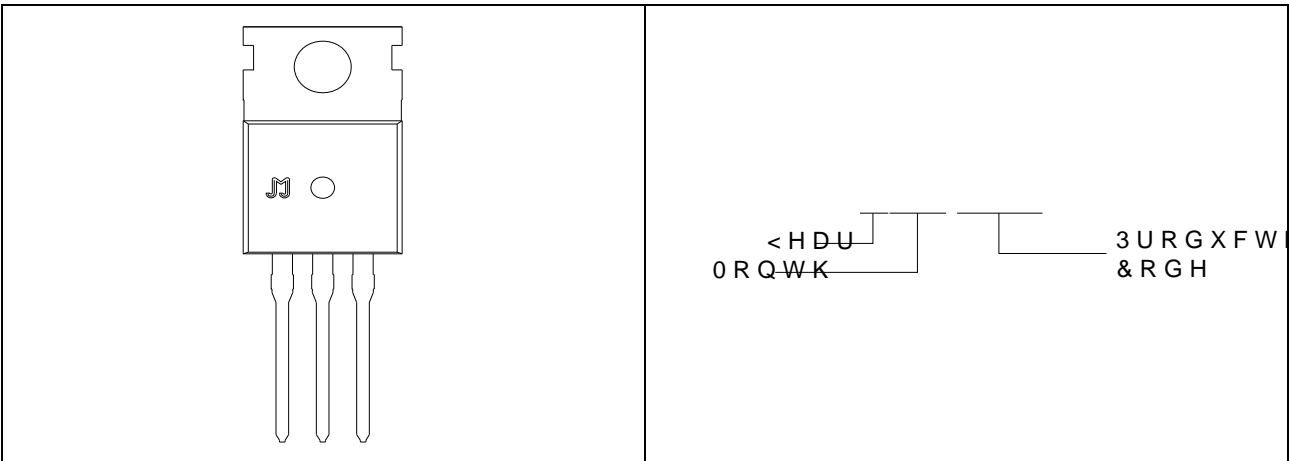


-LH-LH 0LFURHOHFWURQLF

KZ Z/E' /E&KZD d/KE

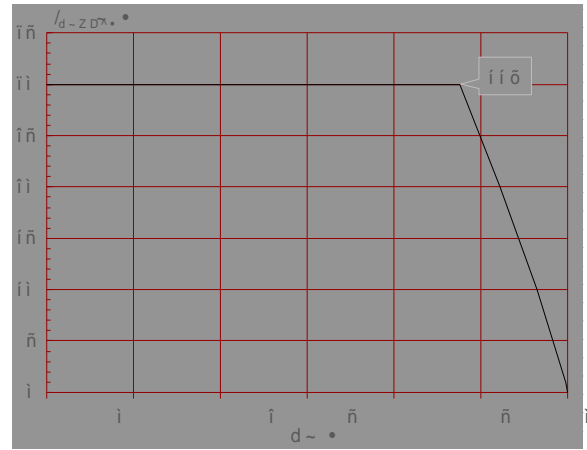
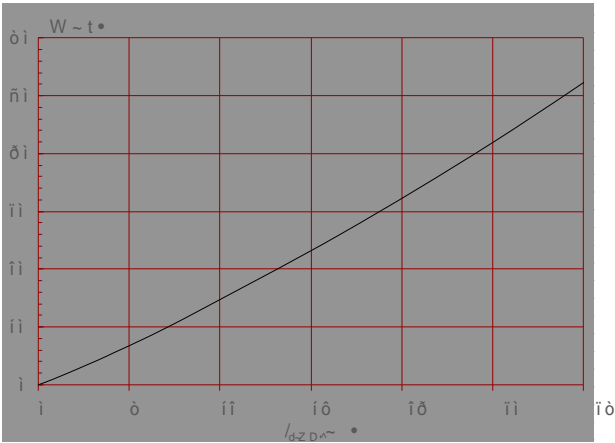


D Z</E'

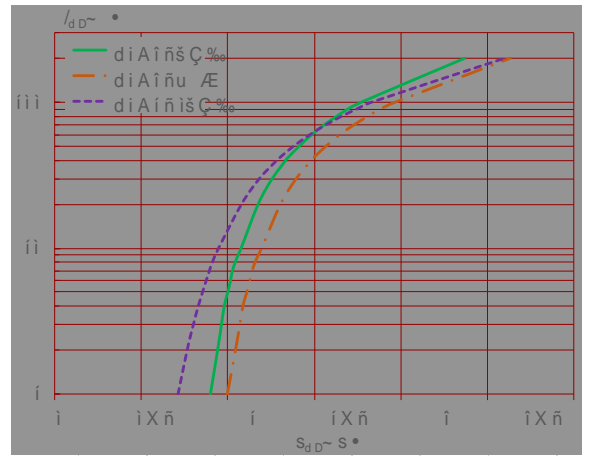
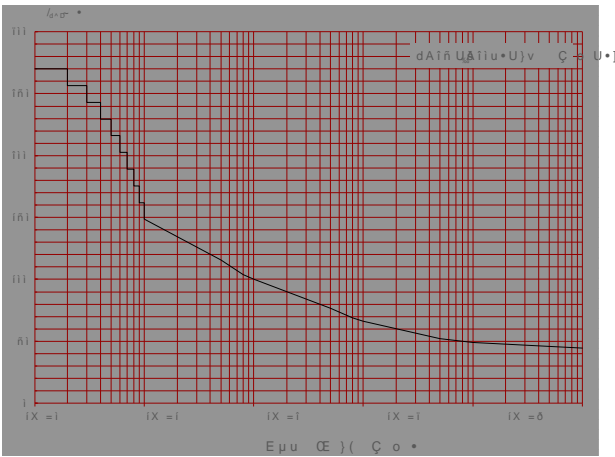




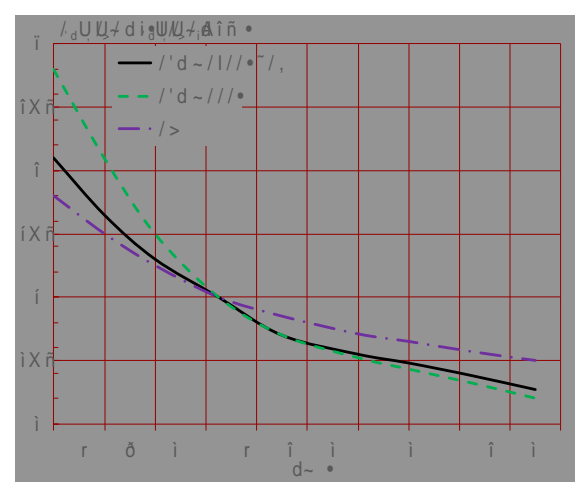
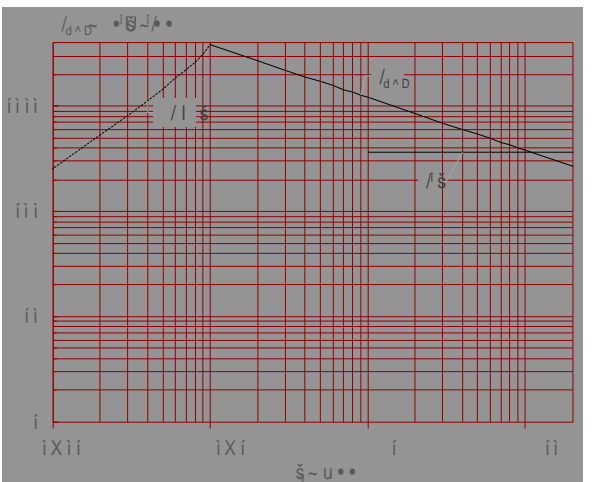
),* 0D[LPXP SRZHU GLVVLSDWLRQ Y, HUV 506VVDWH FXUUHQW YHU RQ VVDWH FXUUHQW WHPSHUDWXUH



),* 6XUJH SHDN RQ VVDWH FXUUHQW ZHUWVVDWH FKDUDFWHULVWLF QXPEHU RI F\FOHV



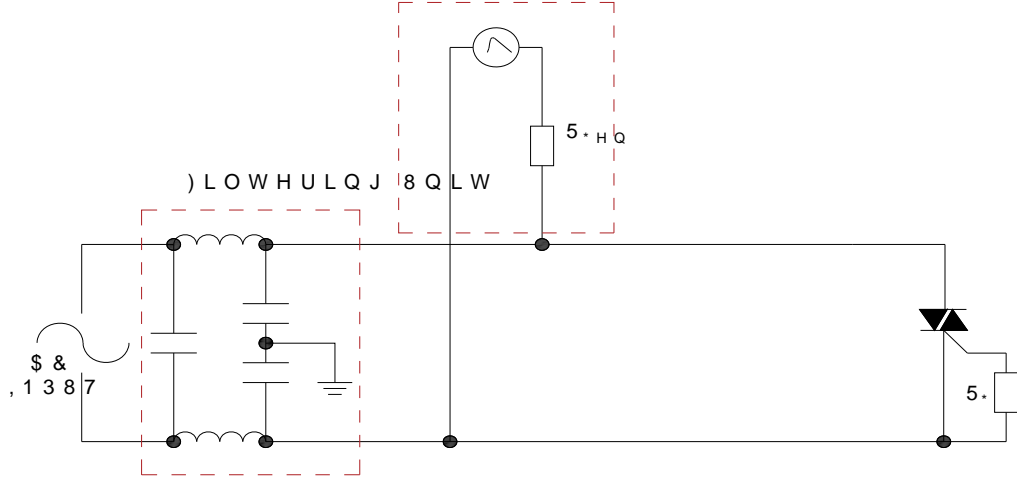
),* 1RQ UHSHWLSDYH RQ UJMDWH FXUUHQW DWLYH YDULDWLRQV RI JRU D VLQXVRLZLQKSLRQKDWG FXUUHQW KROGLQJ FXUUHQW DQYHUVXV MXQFWLRQ WHPSHUDWXU





), * Ö7HVW FLUFXLW IRU LQGXFWLYH DQG UMDQGDUGV OR

, (& 6WDQGDUGV
6XUJH *HQHUDWRU
6YROWDJH VXUJH
6FXUUHQW VXUJH



^, W/E' E ^K> Z/E' W Z D d Z^

5HIHÉ, W RWUXFWLRQV IIRSDQVWLFOHDVLRQVLEUHQHDSVIZHE\ GLH-LH

7 + &



-LH-LH 0LFURHOHFWURQLF

KZ Z/E' /E&KZD d/KE

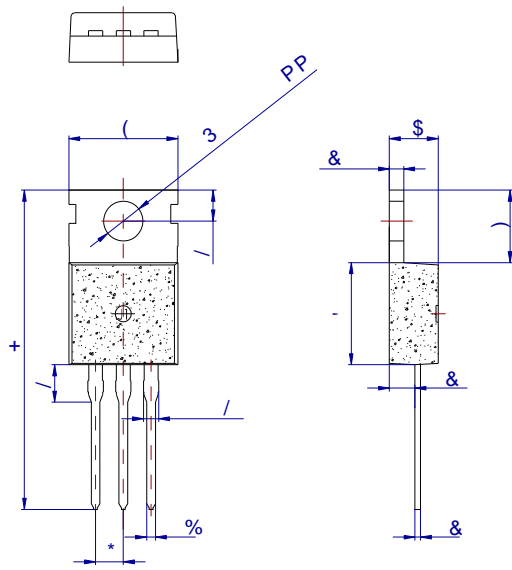
2UGHU FR	9ROWD 9.50 9.50 9	,*7 P\$	3DFNDJH	%DVH T SFV	'HOLYHU\ PRGH
7 + &			72 &		7XEH

'RFXPHQW 5HYLVLRQ +LVWRU\

'DWH	5HYLVLRQ	&KDQJHV
\$SU	\$	/DVW XSGDWHG

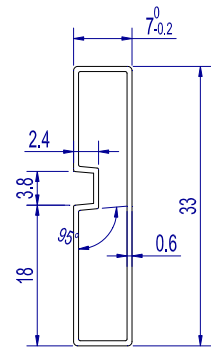
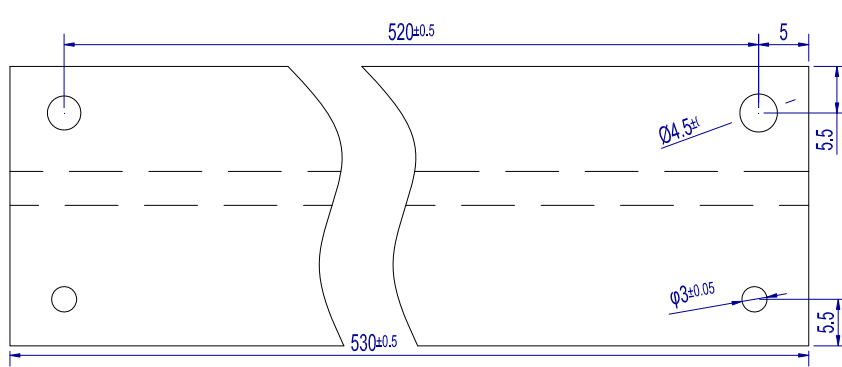


W < ' D , E/ > d




5HI	'LPHQVLRQV					
	0LOOLPHWHUV ,QFKHV					
	0LQ	7\S	0D[0LQ	7\S	0D[
\$						
%						
&						
&						
&						
'						
(
)						
*						
+						
/						
/						
/						

>/s Zz DK





,QIRUPDWLRQ IXUQXFKHQW ILQ WKOLHGYMFB DORGEUHDOLFDXELDDH +
 -LDQJVVX -LH-LH 0L&URRHOWHGF WDJRQXLFHVV OLRV UHRUS RQKVL ERQVH
 RI XVH ZLWKRXW FRQVLGHUDWLRQ IRG LWFKQLQ URPDVLRQR
 LQ WKLV GRFXPHQW LV VXEMHFW WR FKKDQJHZKHLW KROXWJQR
 VLJQHGH -LDQJVSOLHVLZILFRKPWKH DJUHHPHQW
 3URGXFWV DQG LQIRUPDWLRQ SURYLGHLQJHQWVRIGSDXV
 -LDQJVVX -LH-LH DVVXPEVQQR\UHRUSRQVI LQWUKHQJHULHQWVRR
 SDUWLHV ZKLFK PD\ UHVXOW IURP WKHPDWLFRQVXFKLVSGRFG
 VXSHUVHGHV DQG UHSODFHV DOO LQIRUPDWLRQ SUHYLRXV
 LV D UHJLVWHUHGDQJWDXGHLFDUN RUF-ULRHOWHGF WURQLFV &
 &RS\UKJKW -LDQJVVX -LH-LHRQILFVR&RHFHWG 3WVQMMN&US\$CHG U