

7 + \$ \$ 75, \$ &

5HY \$

^ Z/Wd/KEW

7KH 7 + \$ WULDF LV VXLWDEOH IRU JHQHUDO SXUSRVH \$
 VZLWFKLQJ ,W FDQ EH X)YH & QFWLRQ LQ
 DSSOLFDWLRQV VHXODWKRQWLQGXFWLRQ PRWRU
 VWDUWLQJ FLUFXLWV IRU SKDVH FRQWURO RSHUDWLRQ LG
 PRWRU VSHHG FRQWUROOHUV &RPSDUHG WR WUDGLWLRQD
 7 + \$ SURYLGHV D YHU\ KLJK VZLWFKLQJ FDSDELOLW\ XS
 MXQFWLRQ WHPSHUDWXUHV IRU LQVHUYHQDO FHUPLF
 SDG 7 + \$ SURYLGHQVXODWLRQ YROWDJH RI
 9506 FRPSO\LQJZLQGD 8GV)LOH UHI (
 3DFNDJH 72 \$ LV 5R+6 FRPSOLDQW

D /E & dhZ ^

6\PERO	9DOXH	8QLW
,7 506		\$
9'50 9'50		9
,*7		P \$

^K>hd D y/DhD Z d/E'^^

3DUDPHWHU	6\PERO	9DOXH	
6WRUDJH MXSHFWLRQW HLPD QJHVWJ		7	
2SHUDWLQJW HPSHWLRQXUH UDQJH		7	
5HSHWLWLYH SHDN RMI VWDWH YROWDJH 7			9
5HSHWLWLYH SHDN WHYHU VHW YROWDJH 7			9
506 RQ VWDWH FXUUHQW 7 7, 506			\$
1RQ UHSHWLWLYH VXUJH SHDN RQ VWDWH FXUUHQW			\$
IXOO F\FOH V W			\$
1RQ UHSHWLWLYH VXUJH SHDN RQ VWDWH FXUUHQW	760		\$
IXOO F\FOH V W			\$
,W YDOXH IRU PXVLMQJ W	,W		\$ V
&ULWLFDO BDWG RWDWHHF XUUHQW	G, GW		\$ V
; h,*7 l +]M 7			\$
3HDN JDWH FXUUHQW W	,*0		\$

8QL

\$ V

7 + \$

-LH-LH 0LFURHOHFWURQLF

\$YHUDJH JDWH SRZHU GLVVL3D9WLRQ 7		
3HDN JDWH SRZHU	3*0	:
3HDN SXOVH YROWDJH 7M QRQ UHSHWLWLYH RII VWDWH), *	9SS	

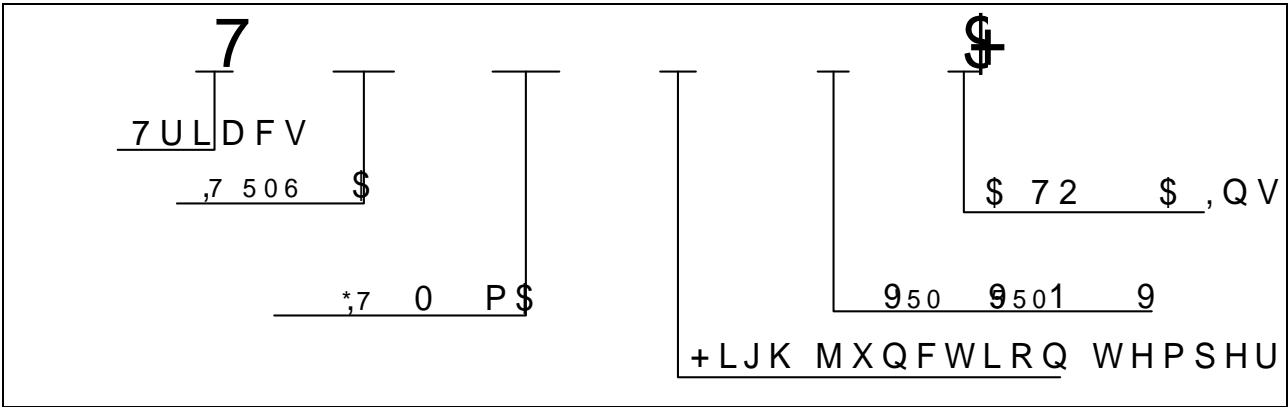
> dZ/ > , Z d Z d / XQOHVV RWKHUZLVH VSHFLILHG

6\PERO	7HVW &RQGLWLRQ	4XDGUDQW	9DOXH
,*7		0\$;	P\$
9*7	9 9 5	0\$:	0
9*	9 9 50 7M 5/ .	0,1	9 'b100

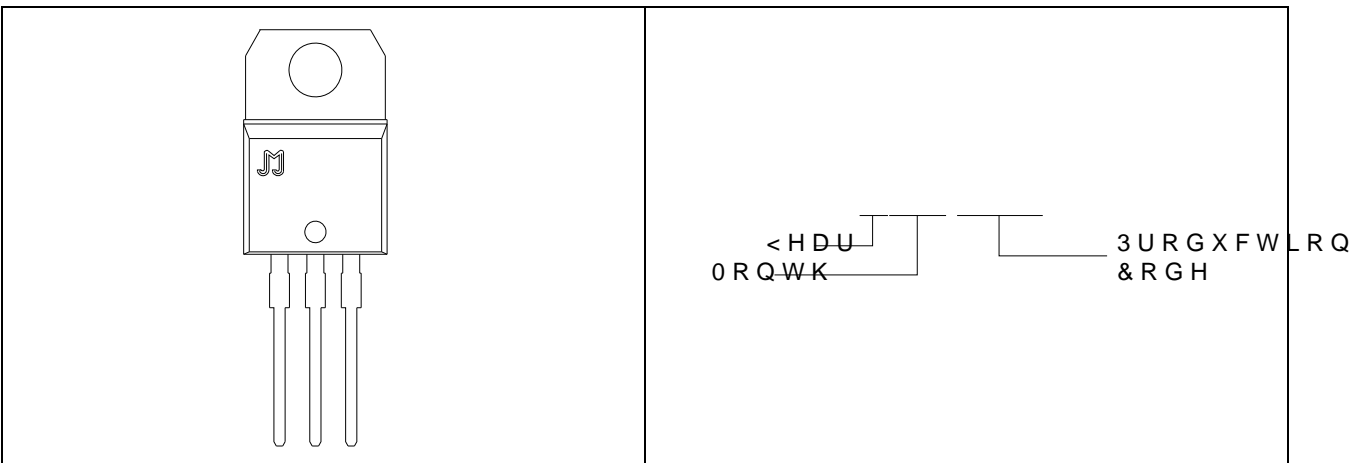
7 + \$

-LH-LH 0LFURHOHFWURQLF

KZ Z/E' /E&KZD d/KE

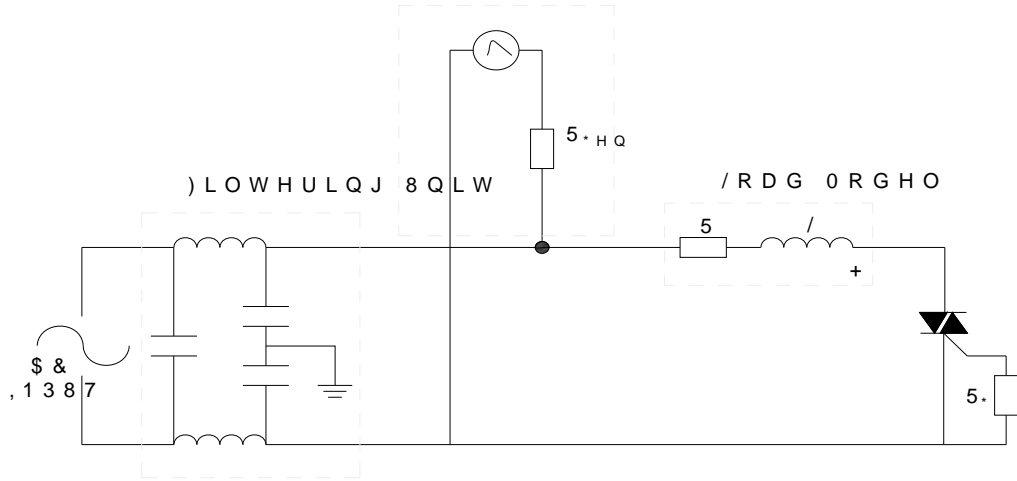


D Z</E'



), * Ö7HVW FLUFXLW IRU LQGXFWLYH DQG UMVQGVUJW OF

, (& 6WDQGDUGV
6XUJH *HQHUDWRU
6YROWDJH VXUJH
6FXUUHQW VXUJH



7 + \$

-LH-LH 0LFURHOHFWURQLF

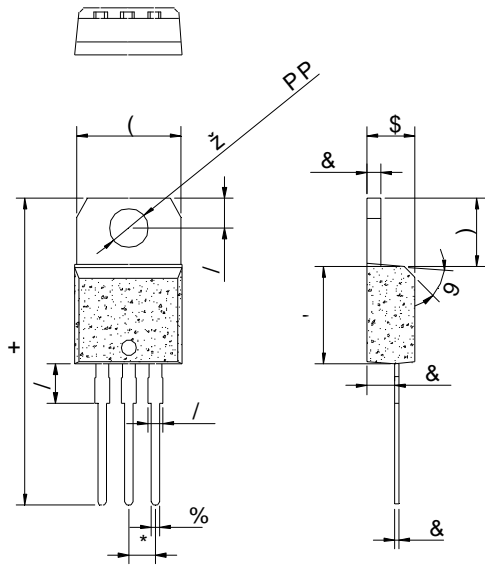
KZ Z/E' /E&KZD d/KE

2UGHU FR	9ROWD 9.50 9.50 9	,*7 P\$	3DFNDJH	%DVH T SFV	'HOLYHU\ PRGH
7 + \$			72 \$,QV		7XEH

'RFXPHQW 5HYLVLRQ +LVWRU\

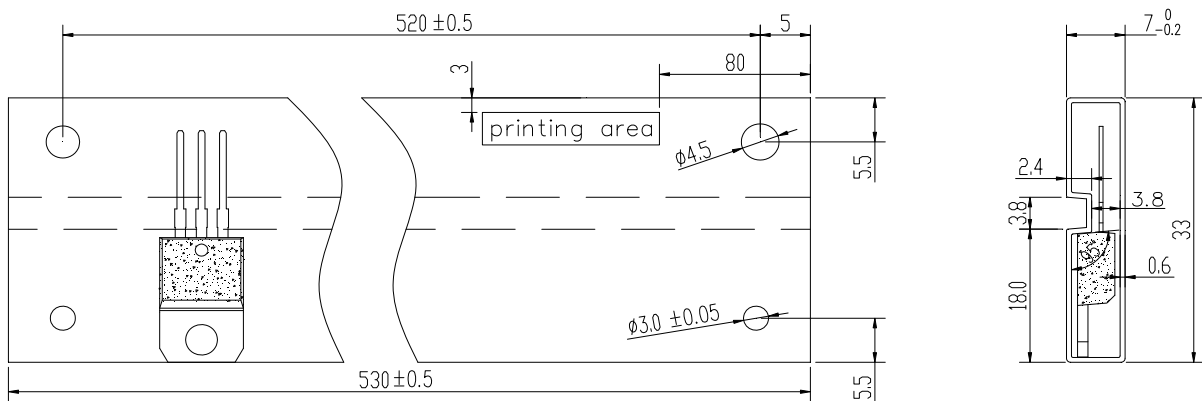
'DWH	5HYLVLRQ	&KDQJHV
\$SU	\$	/DVW XSGDWHG

W < ' D , E / > d



5 HI	'LPHQVLRQV					
	0LOOLPHWHUV ,QFKHV					
	0LQ	7\ S	0D[0LQ	7\ S	0D[
\$						
%						
&						
&						
&						
,						
(
)						
*						
+						
/						
/						
/						
9		f			f	

>/s Zz DK



3\$&.\$*(287/,1(78%(3&6	,11(5%2; 3&6	3(5 &\$5721
72 \$	78%(

,QIRUPDWLRQ IXUQXPHQW ILQ WKOLHGYMB DORGEUHDOLFDXUODH +
 -LDQJVVX -LH-LH 0LRRHOWHFWURHOHFWURQLFVUHRUSRQVHLERQVH
 RI XVH ZLWKRXW FRQVLGHUDWLRQ IRG LWFKQLQURPDWLRQ
 LQ WKLW GRFXPHQW LV VXEMHFW WR FKKDQJZKHLQDQXDJQR
 VLJQHG -LDQJVSOLHVLZLFRKPKH DJUHHPHQW
 3URGXFWV DQG LQIRUPDWLRQ SURYLGHG JHQHWLVRGSDXPH
 -LDQJVVX -LH-LH DVVXPELOQW\UIRVSDQVIHQWUHQJHURR
 SDUWLHV ZKLFK PD\ UHVXOW IURP WKHPDWLFRQVXFKVSGRFG
 VXSHUVHGHV DQG UHSODFHV DOO LQIRUPDWLRQ SUHYLRXV
 LV D UHJLVWHUHGDQJXGHPDUNRUF-ULRHOWHFWURQLFV
 &RS\ULJKW-LDQJVVX -LH-LHRQLFVR&HFWWG 3ULQMM&USCHG U