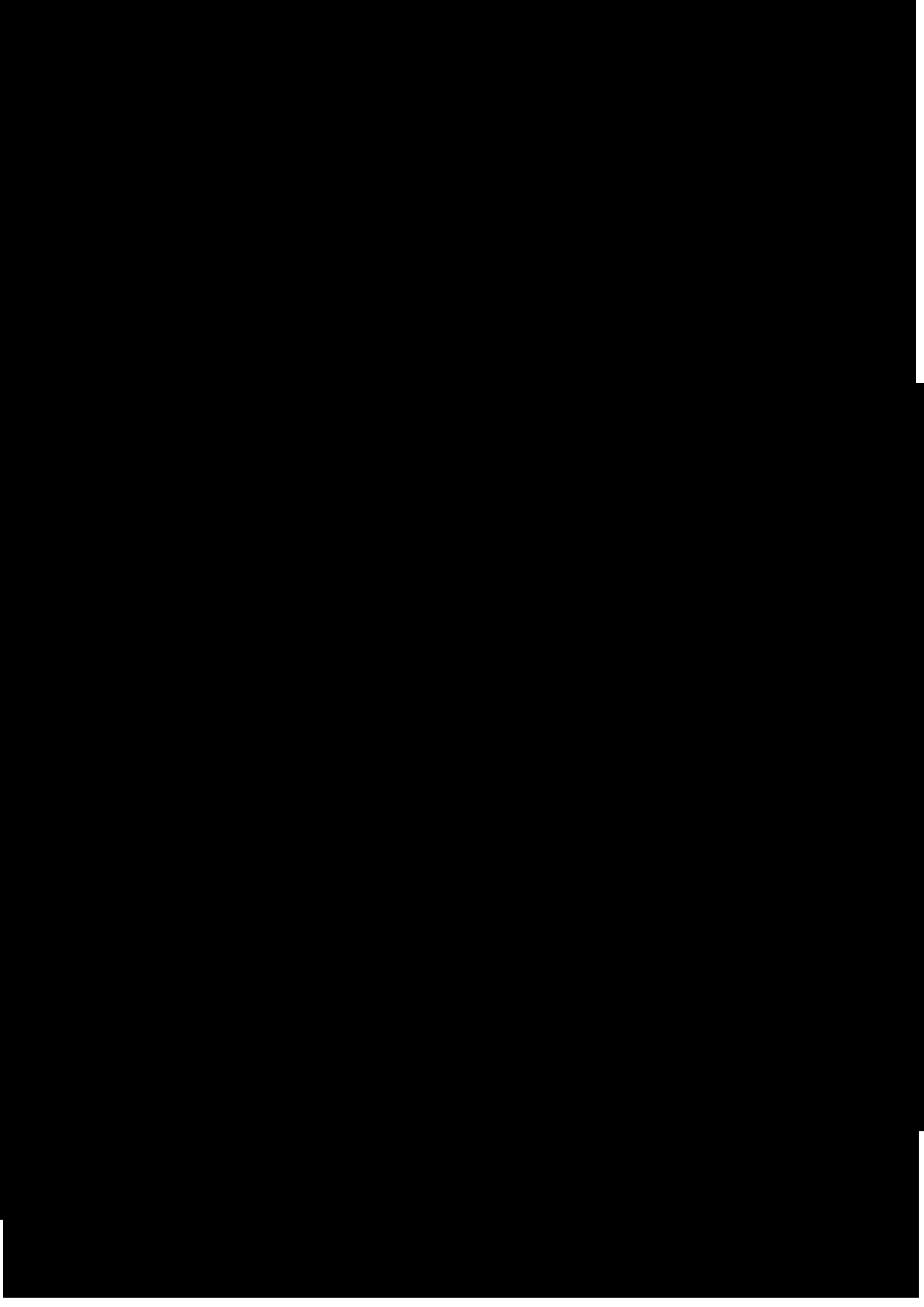


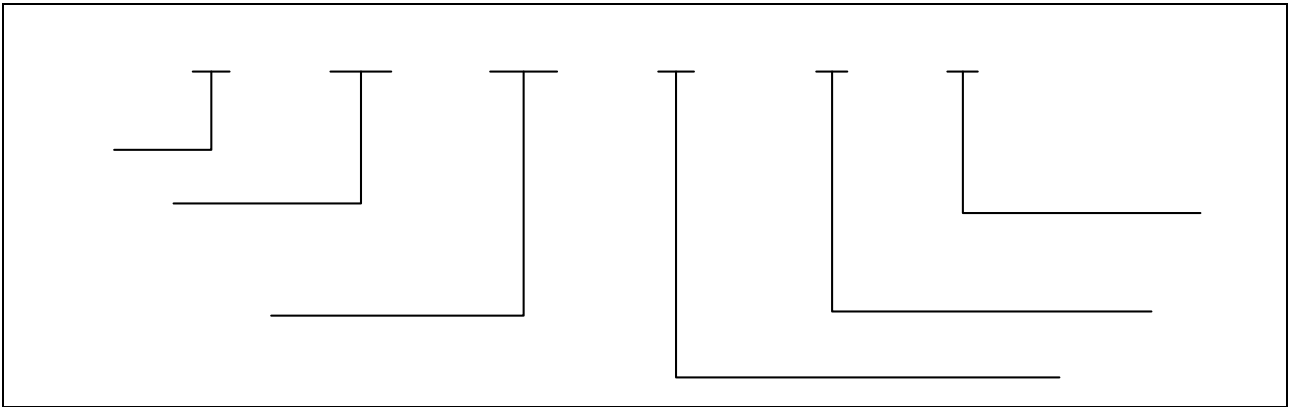


DESCRIPTION:

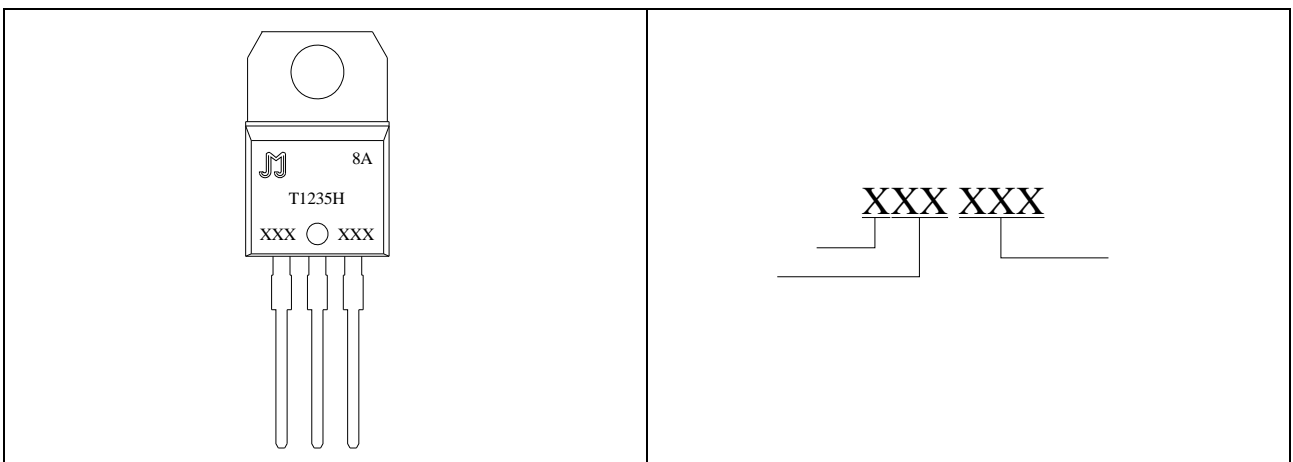


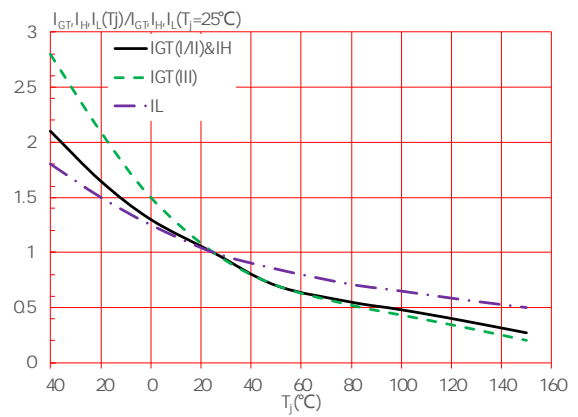
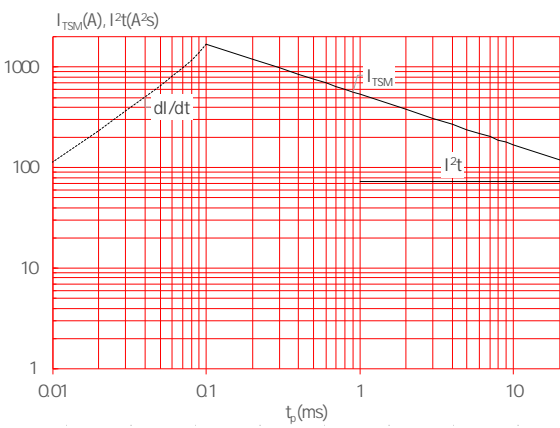
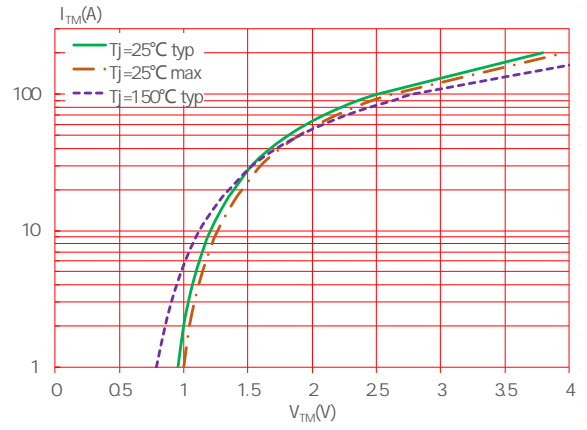
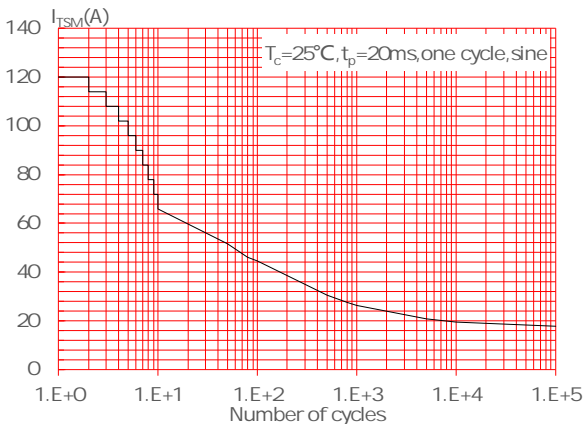
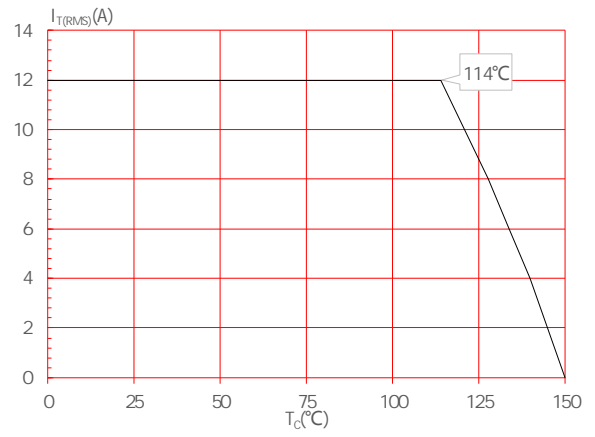
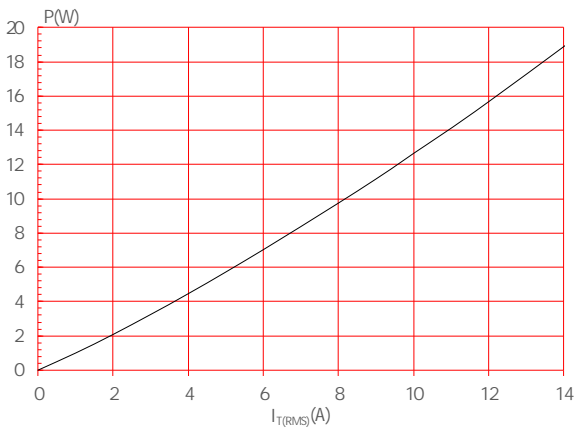


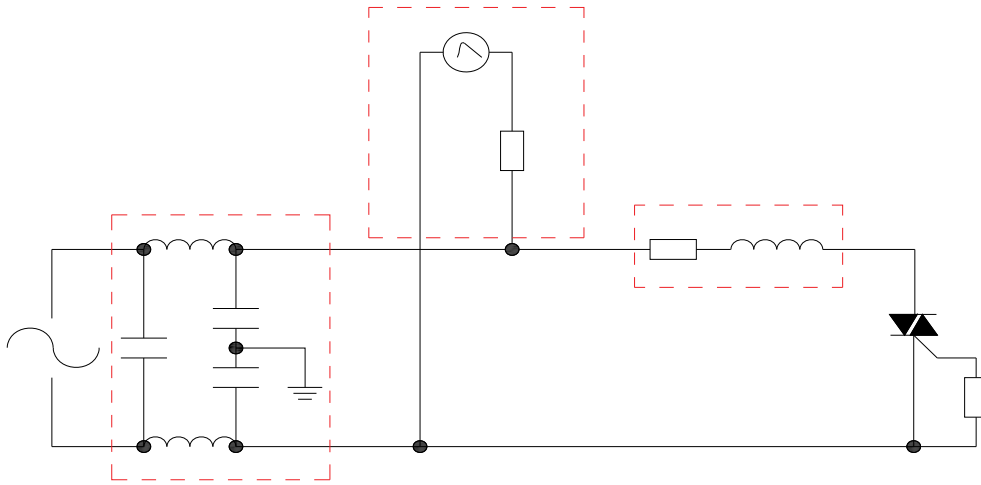
ORDERING INFORMATION



MARKING







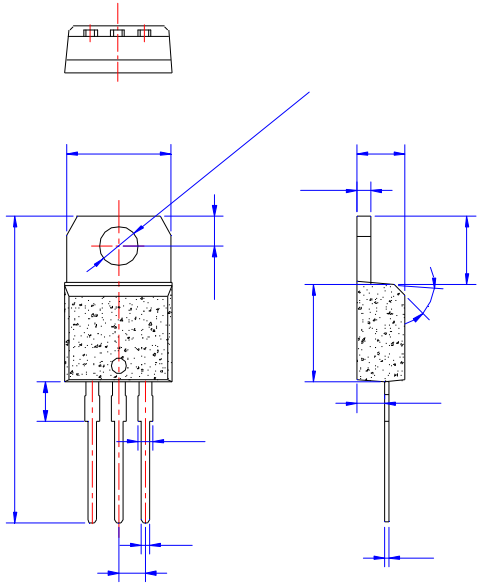
SHAPING AND SOLDERING PARAMETERS



ORDERING INFORMATION



PACKAGE MECHANICAL DATA



DELIVERY MODE

