

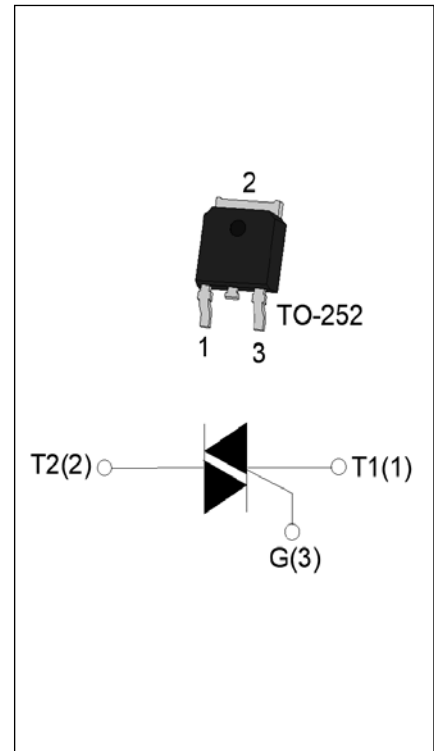


T0635H-8K 6A TRIAC

Rev.A.1.0

DESCRIPTION:

This device is a 6A Triac, which is a bidirectional semiconductor switch. It is used for AC power control in various applications. The device is packaged in a TO-252 package.



MAIN FEATURES

Parameter	Value	Unit
I_{RM}	6	A
V_{DM} / V_{RM}	8	V
I_G	3.5	A

ABSOLUTE MAXIMUM RATINGS

Parameter	Symbol	Value	Unit
Storage Temperature	T_g	-40 ~ 85	
Junction Temperature	T_j	-40 ~ 85	
Peak Reverse Voltage (non-repetitive)	V_{DM}	8	V
Peak Forward Voltage (non-repetitive)	V_{FM}	8	V
Maximum RMS Current (continuous)	I_{RM}	6	A
Maximum Surge Current (non-repetitive)	I_{SM}	8	A
Maximum Surge Current (repetitive)	I_{SM}	6	A
Maximum Surge Energy (non-repetitive)	I^2t	8	A ² s
Maximum Surge Energy (repetitive)	I^2t	8	A ² s
Maximum Gate Current (non-repetitive)	I_{GM}	4	A
Maximum Power Dissipation (continuous)	P_{FM}	1	W
Maximum Power Dissipation (non-repetitive)	P_{DM}	0	W

V_p	3	V
-------	---	---

ELECTRICAL CHARACTERISTICS

Symbol	Test Condition	Quadrant	Value	Unit
I_G	$V_D = 5V, L = 3\mu H$	- -	5	A
V_G		- -	1	V
V_D	$V_D \leq V_{DM}, T_j \neq \theta$ $R_L = 8\Omega$	- -	0	V
I_L	$I_G = 2 I_G$	-	0	A
			0	
I_H	$I_T = 0.1A$		5	A
τ	$V_D = 5V, n T_j \neq \theta$		0.0	V/ μs
τ	$(dV/dt)_c = 20V/\mu s, T_j \neq \theta$		3	A
t_b	$I_G = 0.1A, I_A = 0.1A, I_R = 0.1A$ $T_j \neq \theta$		3	μs
t_b			0	

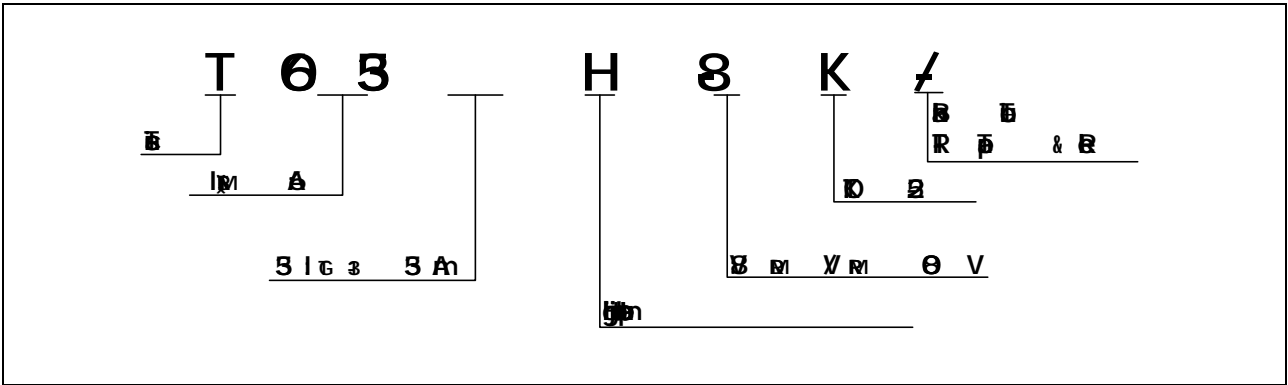
STATIC CHARACTERISTICS

Symbol	Parameter	Value(MAX.)	Unit	
V_M	$I_M = 8.5A, \mu s, T_j \neq \theta$	1.4	V	
V_D	$T_j \neq \theta$	0	V	
R_D	$T_j \neq \theta$	0	m	
I_M	$V_D \leq V_{DM}, V_R \leq V_{RM}$	$T_j \neq \theta$	5	μA
I_M		$T_j \neq \theta$	1	A

THERMAL RESISTANCES

Symbol	Parameter	Value	Unit
$R_{\theta j-c}$	θ_{jc}	4	$^{\circ}C/W$
$R_{\theta j-a}$	θ_{ja}	0	$^{\circ}C/W$

ORDERING INFORMATION



MARKING

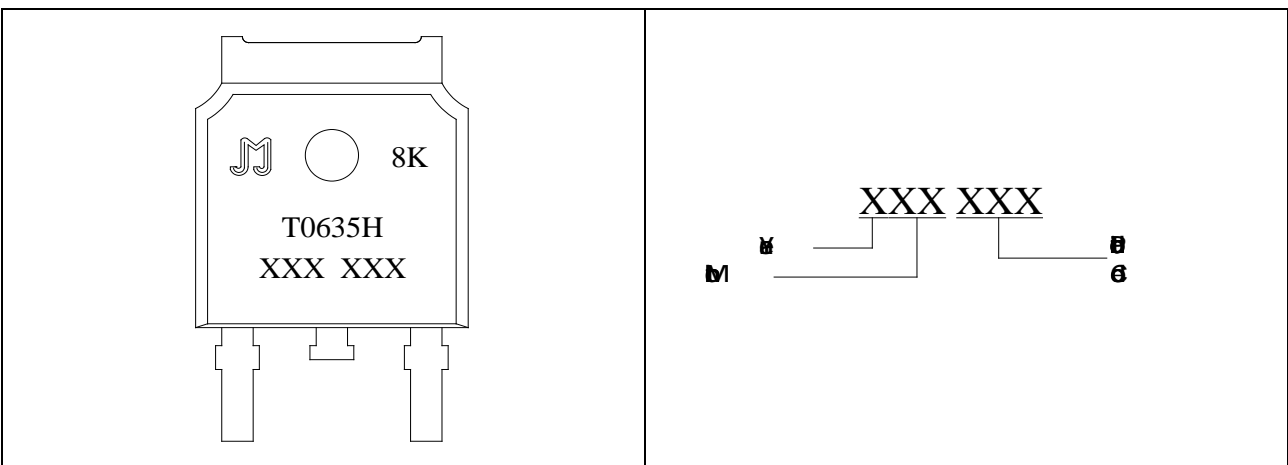


FIG.1

FIG.7: θ_{JA}
 θ_{JA}
 θ_{JA}

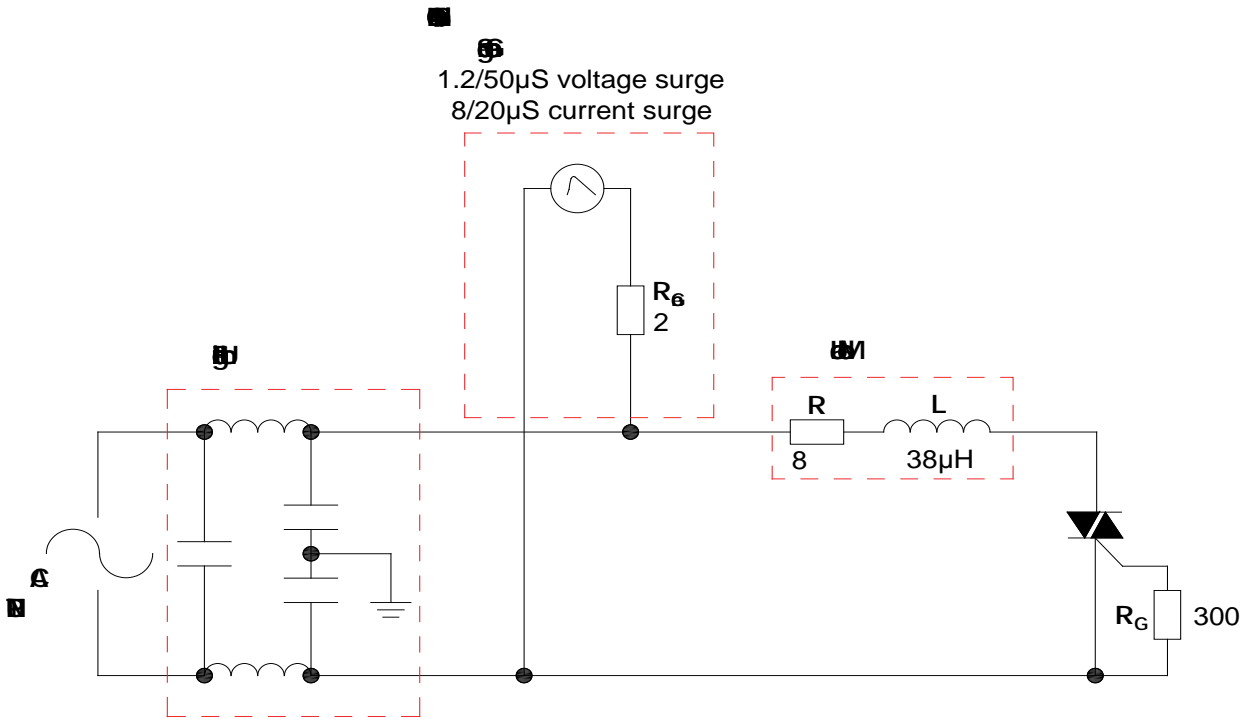


B

1000000

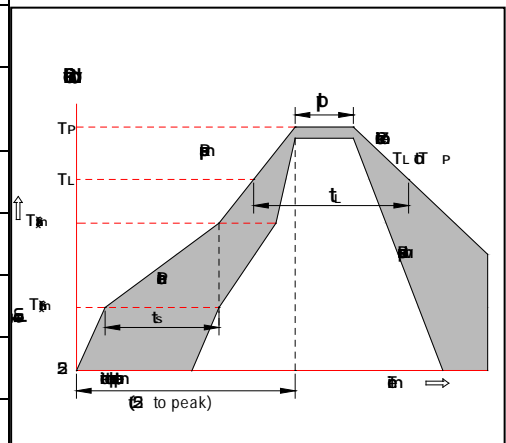
0

3



SOLDERING PARAMETERS

1	2	3	4
5	6	7	8
9	10	11	12
13	14	15	16
17	18	19	20
21	22	23	24
25	26	27	28
29	30	31	32
33	34	35	36
37	38	39	40
41	42	43	44
45	46	47	48
49	50	51	52
53	54	55	56
57	58	59	60
61	62	63	64
65	66	67	68
69	70	71	72
73	74	75	76
77	78	79	80
81	82	83	84
85	86	87	88
89	90	91	92
93	94	95	96
97	98	99	100



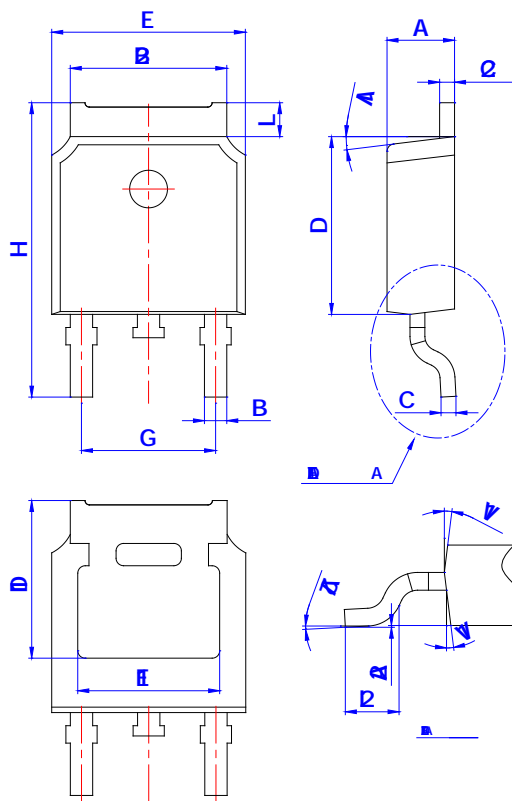
ORDERING INFORMATION

Order code	Voltage V _{DRM} /V _{RRM} (V)	IGT(mA)	Package	Base qty. (pcs)	Delivery mode
		- -			
T0635H-8K	800	35	TO-252	80	Tube
T0635H-8K-TR				2,500	Tape & Reel

Document Revision History

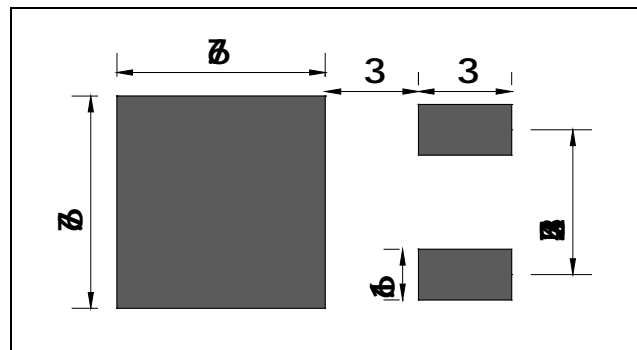
①	②	③
① .0 ,0 3	A 10	①

PACKAGE MECHANICAL DATA



R	B					
	M			b		
	M	Typ	M	M	Typ	M
A	0		0	0		0
Q	0		0	0		0
B	0		0	0		0
D	0		0	0		0
C	0		0	0		0
Q	0		0	0		0
D	0		0	0		0
D	0			0		
E	0		0	0		0
E	0			0		
G	7		7	0		0
H	0		0	0		0
L	0		2	0		0
P	0		0	0		0
V		7			7	
V	0		0	0		0

FOOTPRINT TO-252 (dimensions in mm)



DELIVERY MODE

