

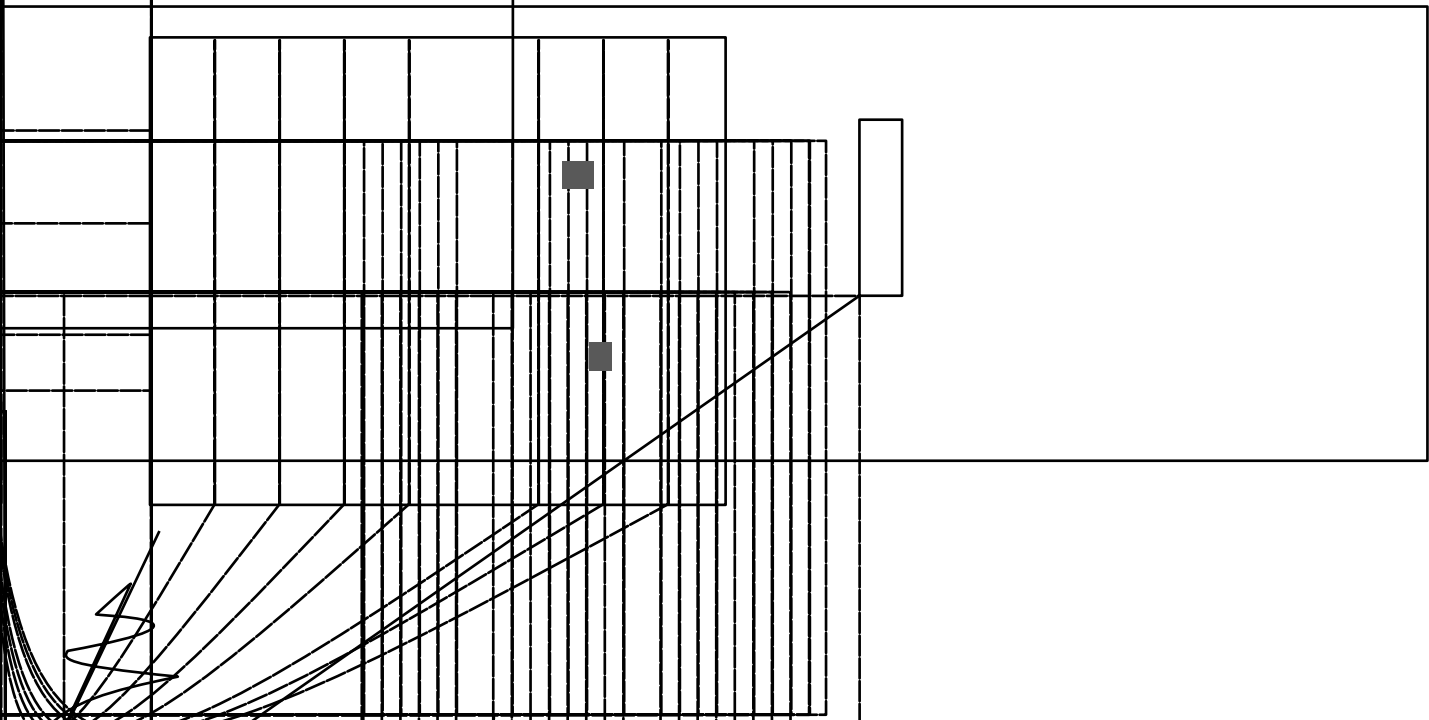
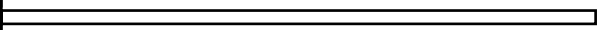
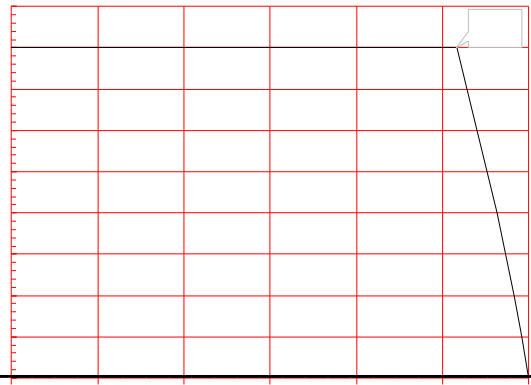
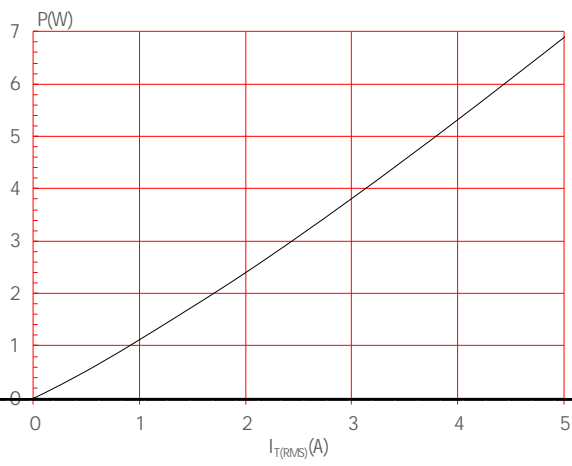


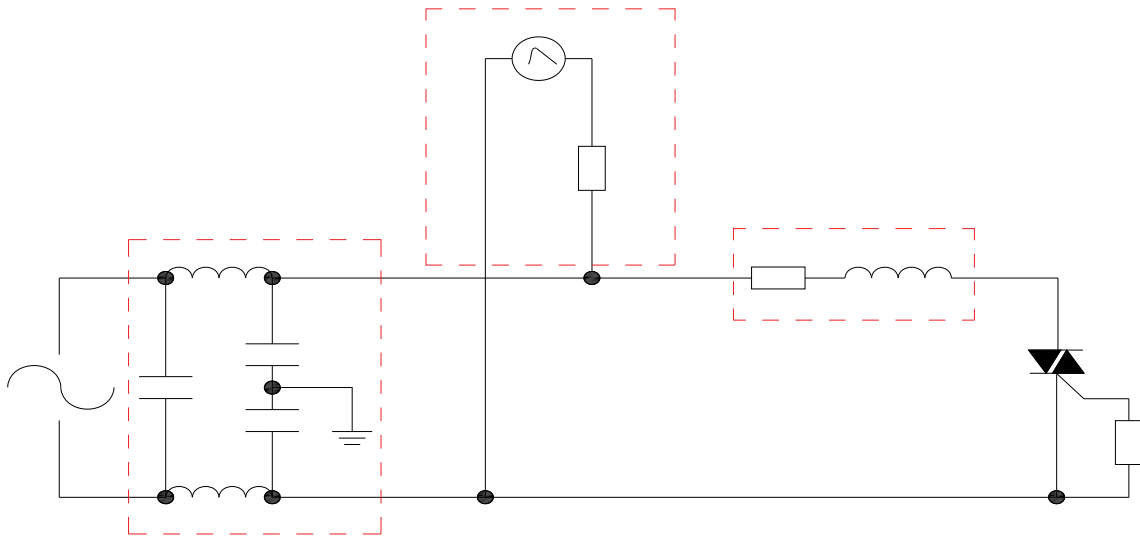
---

DESCRIPTION:









## SHAPING AND SOLDERING PARAMETERS



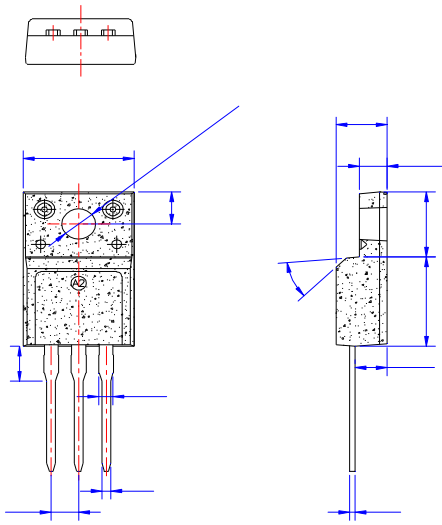
---

## ORDERING INFORMATION





## PACKAGE MECHANICAL DATA



---

---

---

---

---

