



JX008U 0.8A Sensitive SCR

Rev.A.1.0

DESCRIPTION:

MAIN FEATURES

ABSOLUTE MAXIMUM RATINGS

Parameter	Symbol	Value	Unit

NOTE 1:

ELECTRICAL CHARACTERISTICS ($T_j=25$)

Symbol	Test Condition	Value			Unit
		MIN.	TYP.	MAX.	

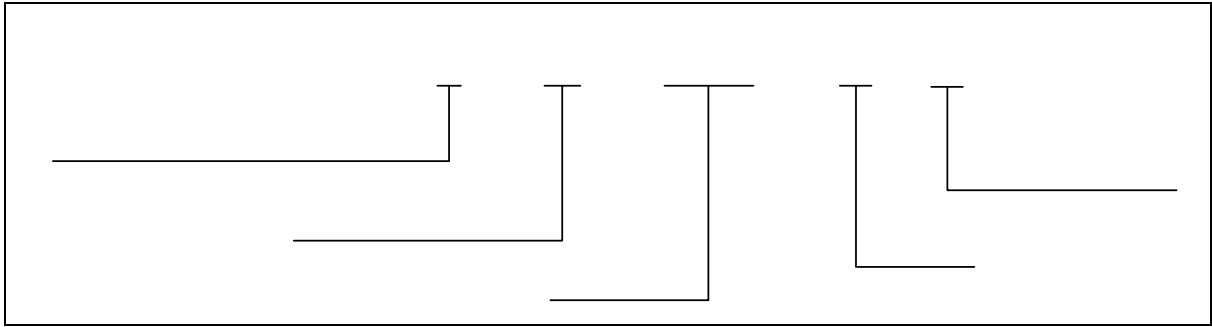
STATIC CHARACTERISTICS

Symbol	Parameter	Value(MAX.)	Unit

THERMAL RESISTANCES

Symbol	Parameter	Value	Unit

ORDERING INFORMATION



MARKING

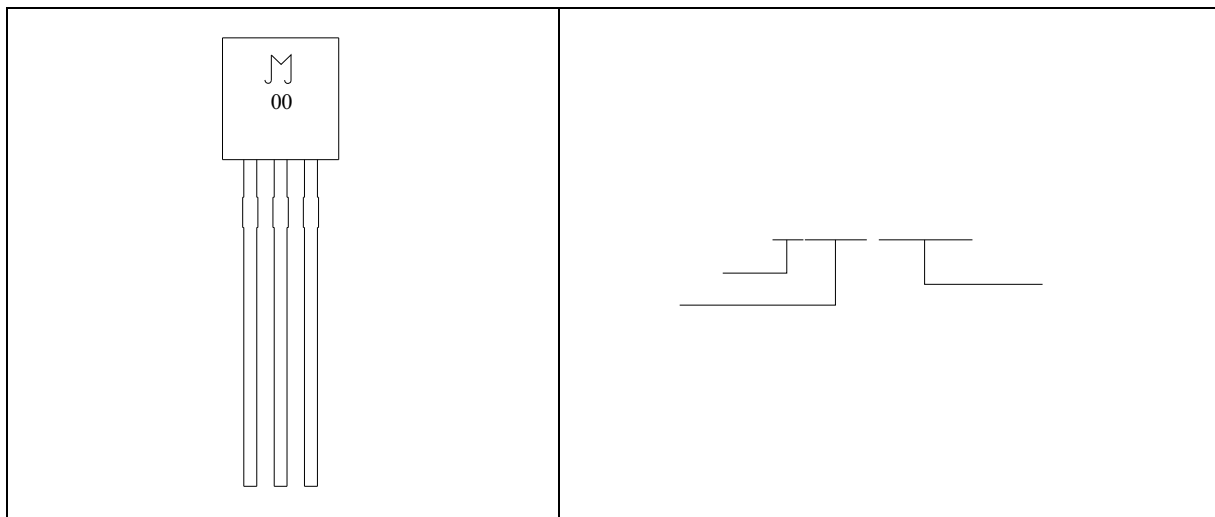


FIG.1

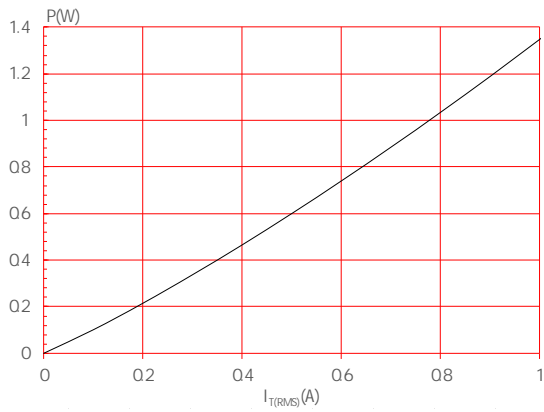


FIG.2:

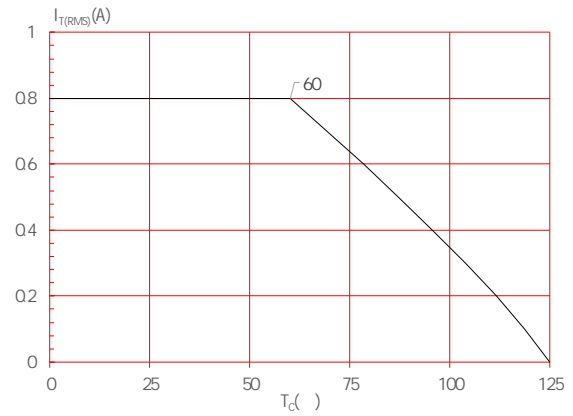


FIG.3:

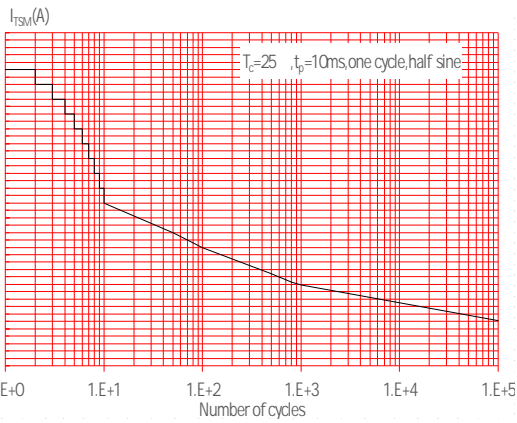


FIG.4:

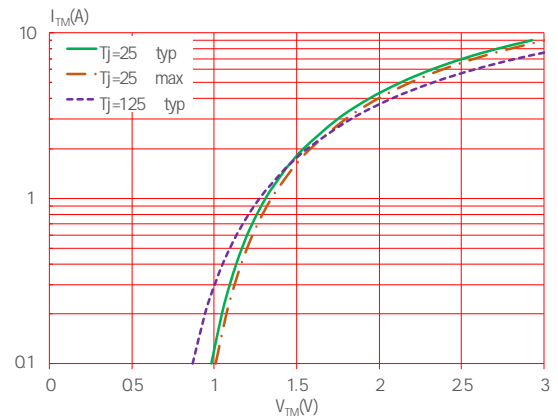


FIG.5:

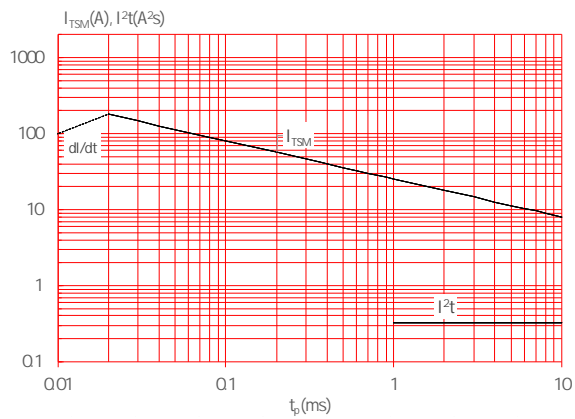
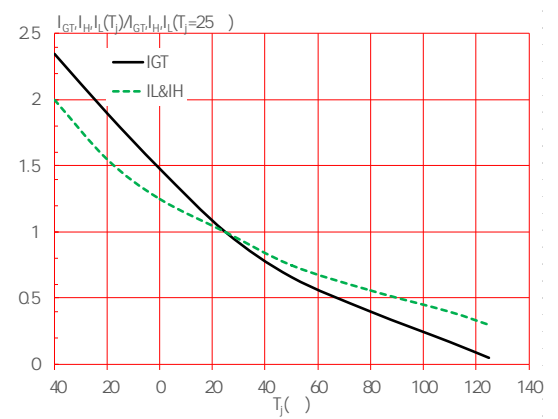
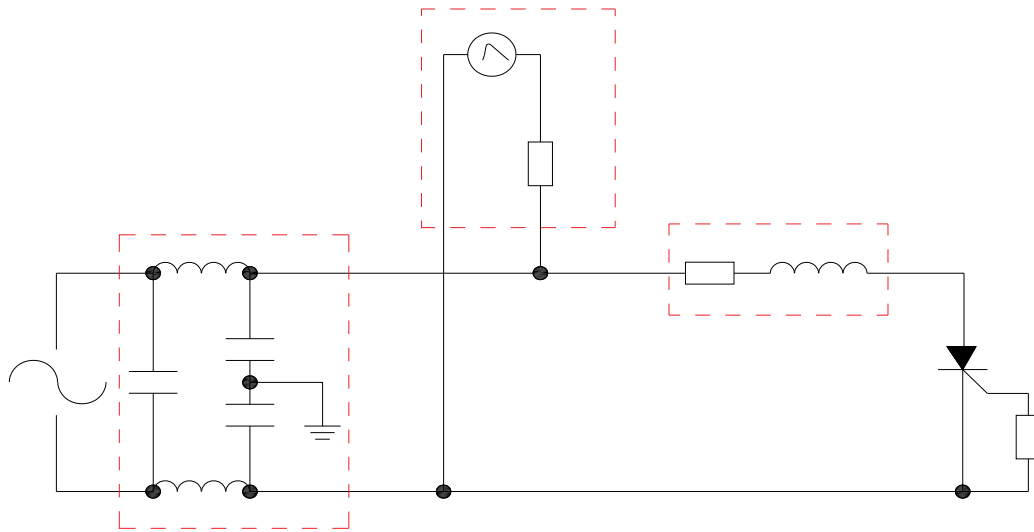


FIG.6:





SHAPING AND SOLDERING PARAMETERS

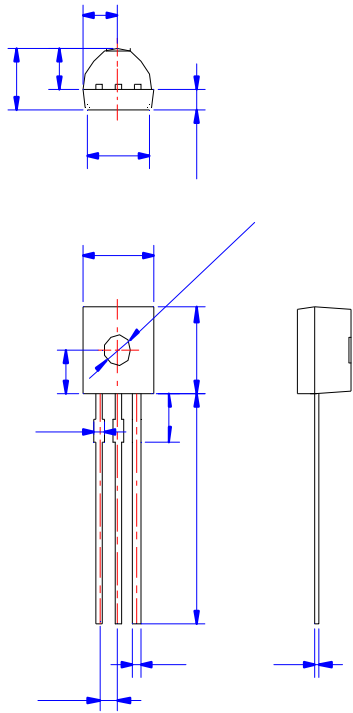
ORDERING INFORMATION

Order code	Voltage V_{DRM}/V_{RRM} (V)	IGT(μ A)	Package	Base qty. (pcs)	Delivery mode
JX008U	800	200	TO-92	1,000	Bulk Pack
JX008U-TR				2,000	Tape & Reel

Document Revision History

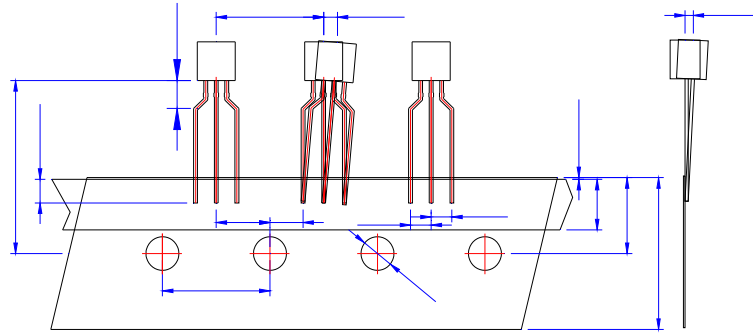
Document Revision History		

PACKAGE MECHANICAL DATA



DELIVERY MODE

PACKAGE	OUTLINE	BAG (PCS)	INNER BOX (PCS)	CARTON BOX (PCS)



PACKAGE	OUTLINE	REEL (PCS)	INNER BOX (PCS)	CARTON BOX (PCS)

