



JR0105U

1A SCR

Rev.A.1.0

The JR0105U SCR with the parallel resistor between Gate and Cathode, $R_{GK}=10\sim 80k$ is especially recommended for use on straight hair, igniter, anion generator, etc. Package TO-92 is RoHS compliant.

Symbol	Value	Unit
$I_{T(RMS)}$	1	A
V_{DRM}/V_{RRM}	600	V
I_{GT}	200	μA

Parameter	Symbol	Value	Unit
Storage junction temperature range	T_{stg}	-40-150	
Operating junction temperature range	T_j	-40-125	
Repetitive peak off-state voltage ($T_j=25^\circ C$)	V_{DRM}	600	V
Repetitive peak reverse voltage ($T_j=25^\circ C$)	V_{RRM}	600	V
Average on-state current ($T_c=41^\circ C$)	I_T		

Peak gate power	P_{GM}	2	W
Peak pulse voltage ($T_j=25$; non-repetitive,off-state;FIG.7)	V_{pp}	0.5	kV

NOTE 1: When we parallel connect a $\leq \Omega$ T_j can reach 125 ; if without this resistor, the T_j only can reach 110 .

($T_j=25$ unless otherwise specified)

Symbol	Test Condition	Value			Unit
		MIN.	TYP.	MAX.	
I_{GT}	$V_D=12V R_L=33$	-	50	200	μA
V_{GT}		-	0.6	0.8	V
V_{GD}	$V_D=V_{DRM} T_j=125$	0.2	-	-	V
I_L	$I_G=1.2 I_{GT}$	-	-	3	mA
I_H	$I_T=0.05A$	-	-	2	mA
dV/dt	$V_D=400V T_j=125 R_{GK}=1K$	50	-	-	V/ μs
	$V_D=400V T_j=125 R_{GK}=220$	250	-	-	
t_{on}	$I_G=10mA I_A=20mA I_R=2mA$ $T_j=25$	-	2	-	μs
t_{off}		-	50	-	

Symbol	Parameter		Value(MAX.)	Unit
V_{TM}	$I_{TM}=1.6A t_p=380\mu s$	$T_j=25$	1.4	V
V_{TO}	Threshold voltage	$T_j=125$	0.77	V
R_D	Dynamic resistance	$T_j=125$	0.18	
I_{DRM}	$V_D=V_{DRM} V_R=V_{RRM}$	$T_j=25$	5	μA
I_{RRM}		$T_j=125$	0.1	mA

Symbol	Parameter	Value	Unit
$R_{th(j-c)}$	junction to case (DC)	65	$/W$
$R_{th(j-a)}$	junction to ambient (DC)	150	$/W$

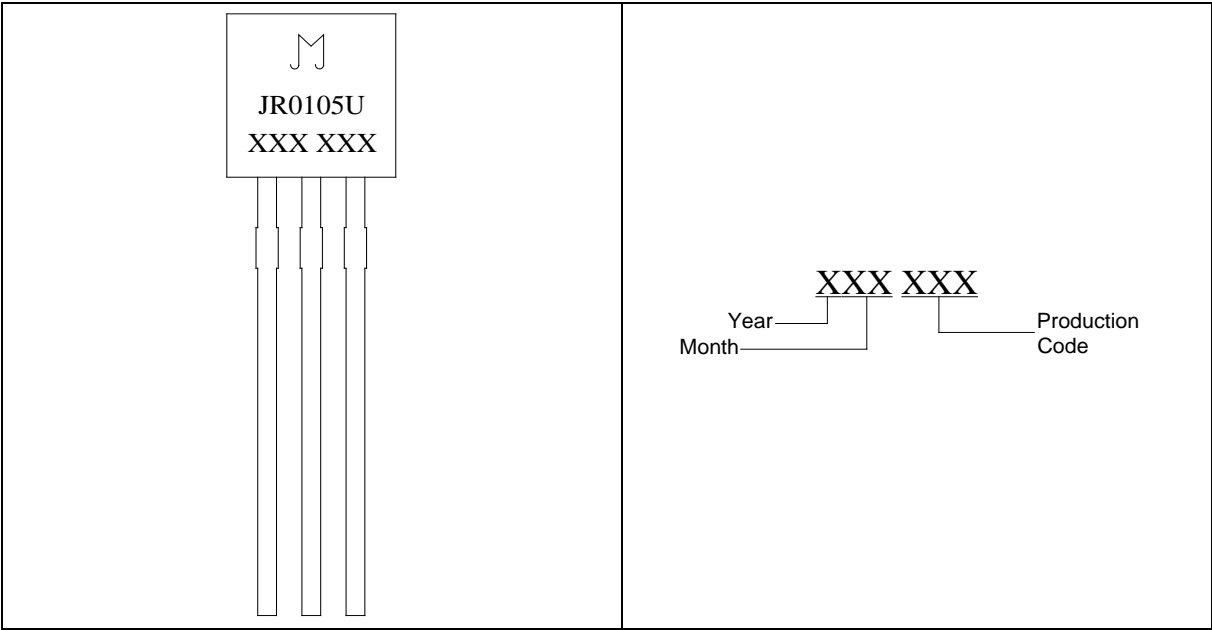
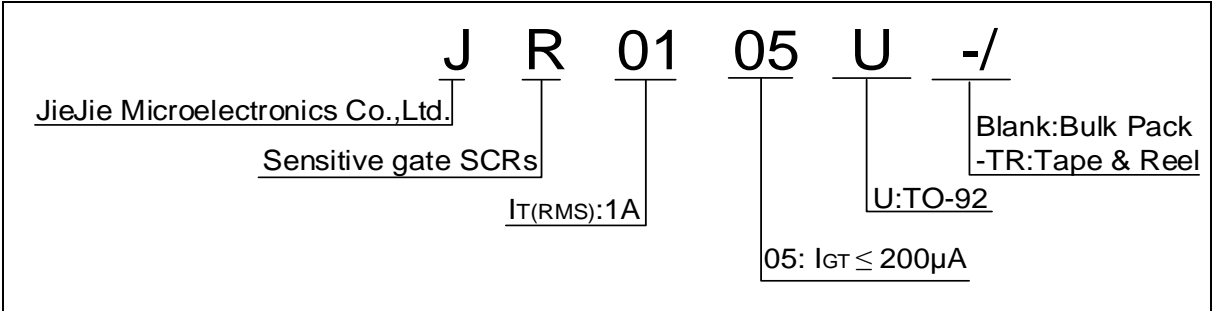


FIG.1 Maximum power dissipation versus RMS on-state current

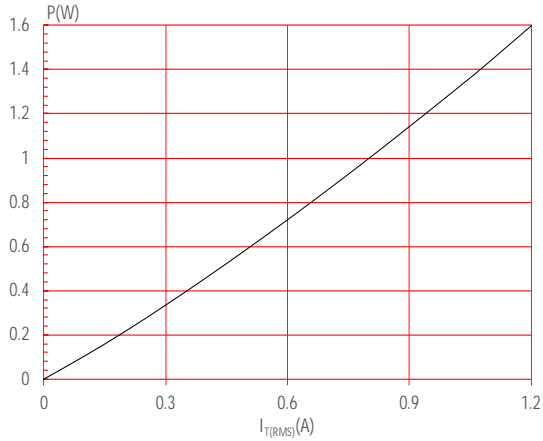


FIG.2: RMS on-state current versus case temperature

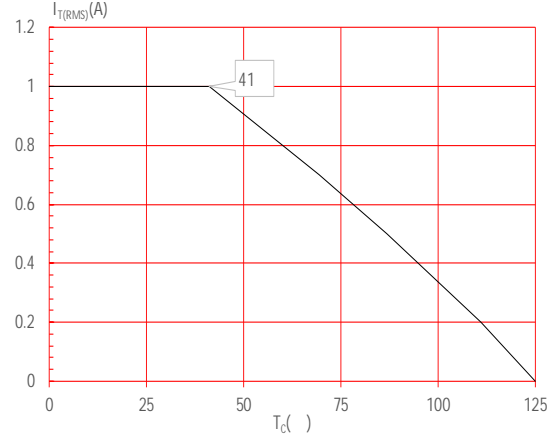


FIG.3: Surge peak on-state current versus number of cycles

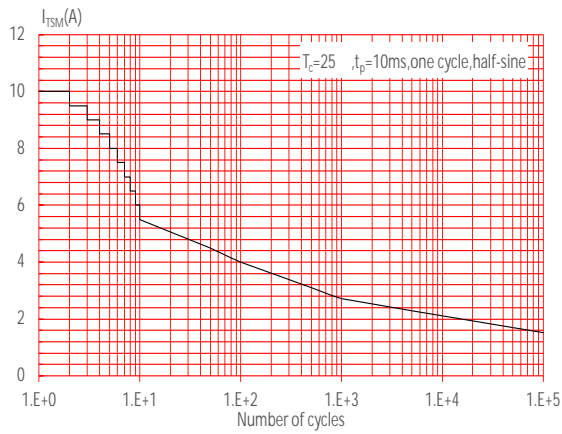


FIG.4: On-state characteristics

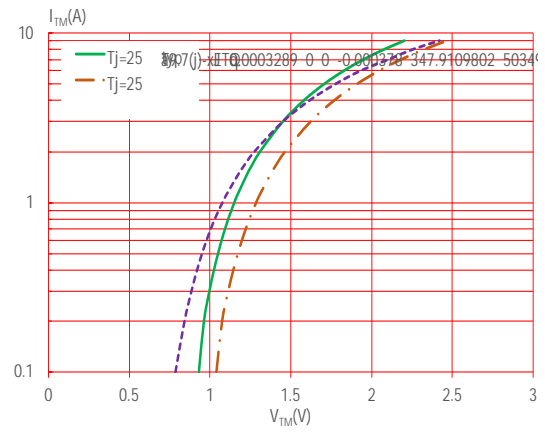
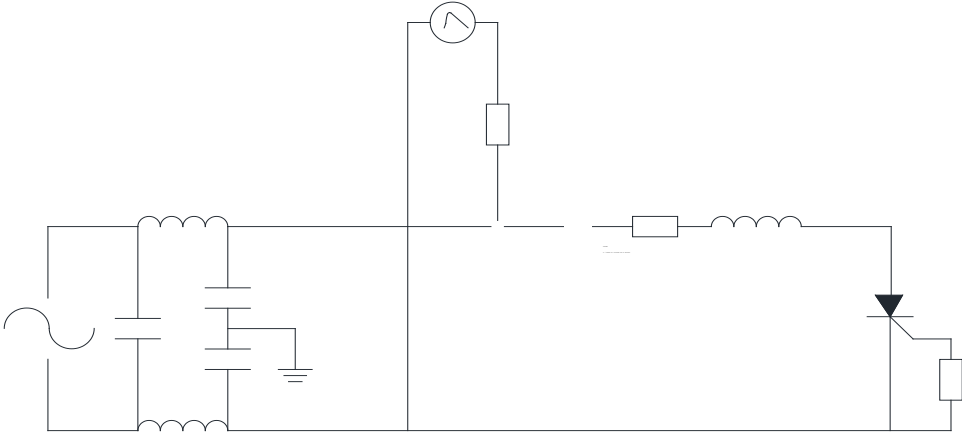


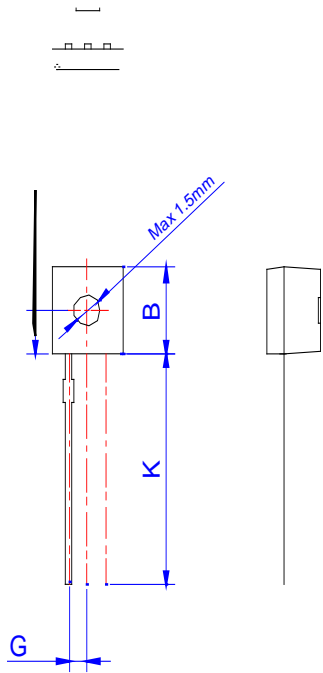
FIG.7 Test circuit for inductive and resistive loads to IEC-61000-4-5 standards



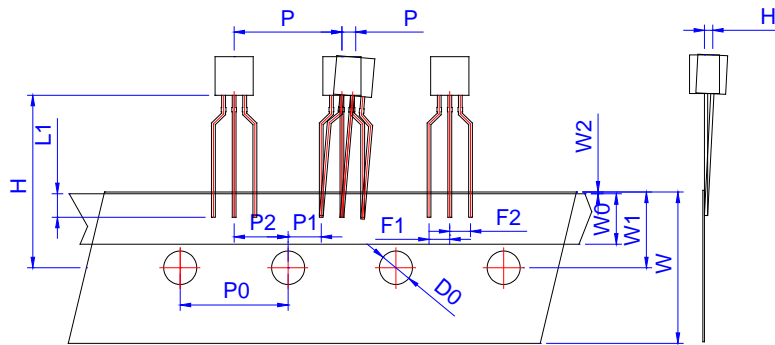
Order code	Voltage V _{DRM} /V _{R_{RRM}} (V)	IGT)	Package	Base qty. (pcs)	Delivery mode
JR0105U	600	200	TO-92	1,000	Bulk Pack
JR0105U-TR				2,000	Tape & Reel

Document Revision History

Date	Revision	Changes
Apr.10, 2023	A.1.0	Last update




PACKAGE	OUTLINE	BAG (PCS)	INNER BOX (PCS)	CARTON BOX (PCS)
TO-92	Bulk Pack	1,000	10,000	50,000



L1	2.5		
H	18.0	19.0	20.0

Information furnished in this document is believed to be accurate and reliable. However, Jiangsu JieJie Microelectronics Co., Ltd. assumes no responsibility for the consequences of use without consideration for such information nor use beyond it. Information mentioned in this document is subject to change without notice, apart from that when an agreement is signed, Jiangsu JieJie complies with the agreement. Products and information provided in this document have no infringement of patents. Jiangsu JieJie assumes no responsibility for any infringement of other rights of third parties which may result from the use of such products and information. This document supersedes and replaces all information previously supplied.

 is a registered trademark of Jiangsu JieJie Microelectronics Co., Ltd. Copyright ©2023 Jiangsu JieJie Microelectronics Co., Ltd. Printed All rights reserved.