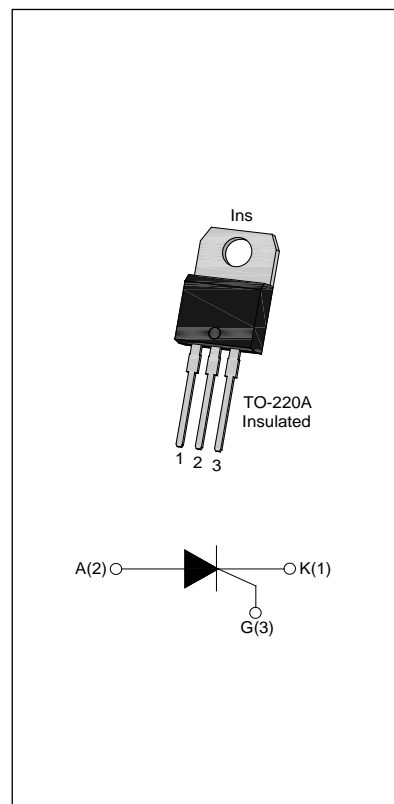




DESCRIPTION:

With high ability to withstand the shock loading of large current, JCT616A-FO of silicon controlled rectifiers provide high dv/dt rate with strong resistance to electromagnetic interference. They are especially recommended for use on solid state relay, motorcycle, power charger, T-tools etc. From all three terminals to external heatsink, JCT616A-FO provides a rated insulation voltage of 2500 V_{RMS}, complying with UL standards (File ref: E252906). Package TO-220A is RoHS compliant. (2011/65/EU)



MAIN FEATURES

Symbol	JCT616A-FO
V _{DRM} / V _{RPM}	600V
I _{T(RMS)}	16A
I _{GT}	3~6mA

ABSOLUTE MAXIMUM RATINGS

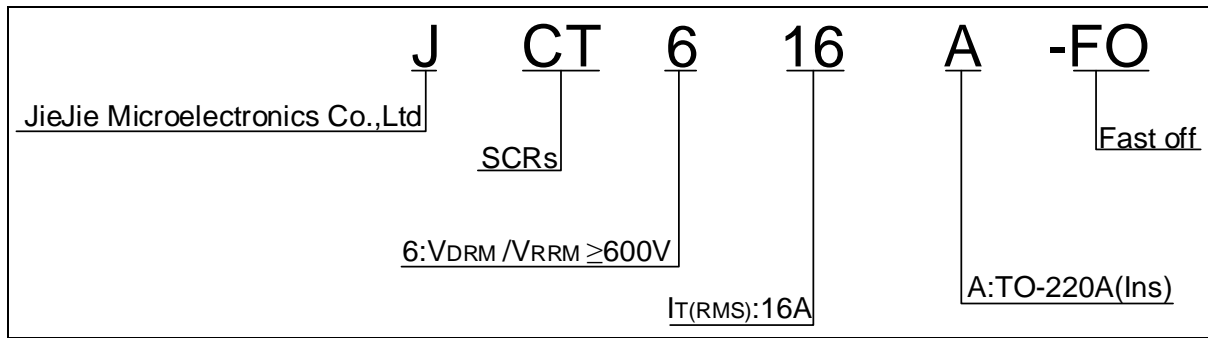
Parameter	Symbol	Value	Unit	
Storage junction temperature range	T _{stg}	-40-150	°C	
Operating junction temperature range	T _j	-40-150	°C	
Repetitive peak off-state voltage(T _j =150°C)	V _{DRM}	600	V	
Repetitive peak reverse voltage(T _j =150°C)	V _{RPM}	600	V	
RMS on-state current	TO-220A(Ins) (T _c =100°C)	I _{T(RMS)}	16	A
Average on-state current	TO-220A(Ins) (T _c =100°C)	I _{T(AV)}	10	A
Non repetitive surge peak on-state current (tp=10ms)	I _{TSM}	180	A	
I ² t value for fusing (tp=10ms)	I ² t	162	A ² s	
Critical rate of rise of on-state current (I _G =2 I _{GT})	di/dt	100	A/μs	
Peak gate current	I _{GM}	4	A	

Average gate power dissipation	$P_{G(AV)}$	1	W
Peak gate power	P_{GM}	5	W
Peak pulse voltage ($T_j=25^{\circ}\text{C}$; non-repetitive, off-state; FIG.7)	V_{pp}	0.7	kV

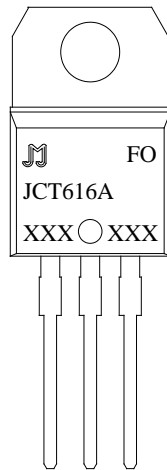
ELECTRICAL CHARACTERISTICS ($T_j=25^{\circ}\text{C}$ unless otherwise specified)

Symbol	Test Condition	Value	Unit
---------------	-----------------------	--------------	-------------

ORDERING INFORMATION



MARKING



Year
Month XXX XXX Production
Code

FIG.1 Maximum power dissipation versus RMS on-state current

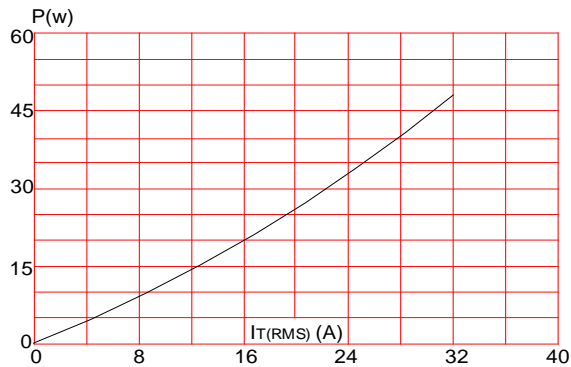


FIG.3: Surge peak on-state current versus number of cycles

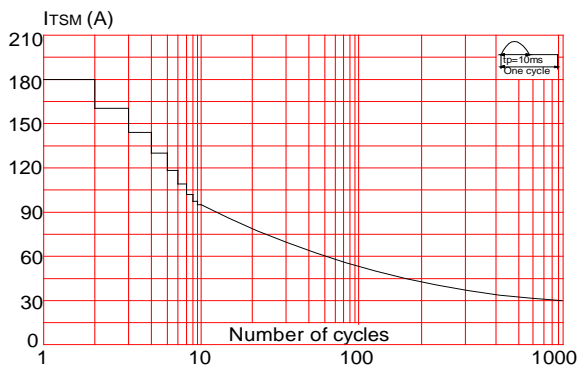


FIG.5: Non-repetitive surge peak on-state current for a sinusoidal pulse with width $t_p < 10\text{ms}$, and corresponding value of $f \cdot t$ ($di/dt < 100\text{A}/\mu\text{s}$)

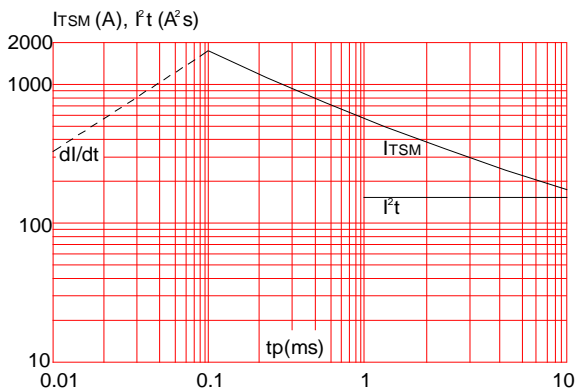


FIG.2: RMS on-state current versus case temperature

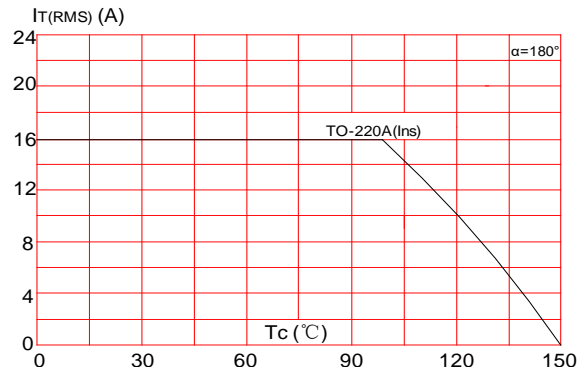


FIG.4: On-state characteristics (maximum values)

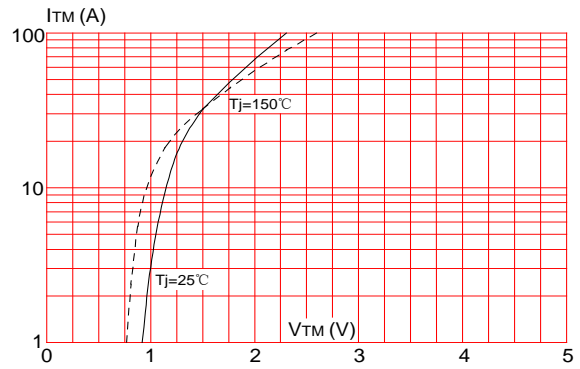


FIG.6: Relative variations of gate trigger current, holding current and latching current versus junction temperature

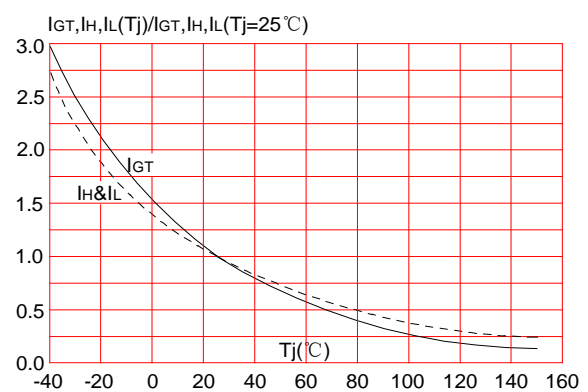
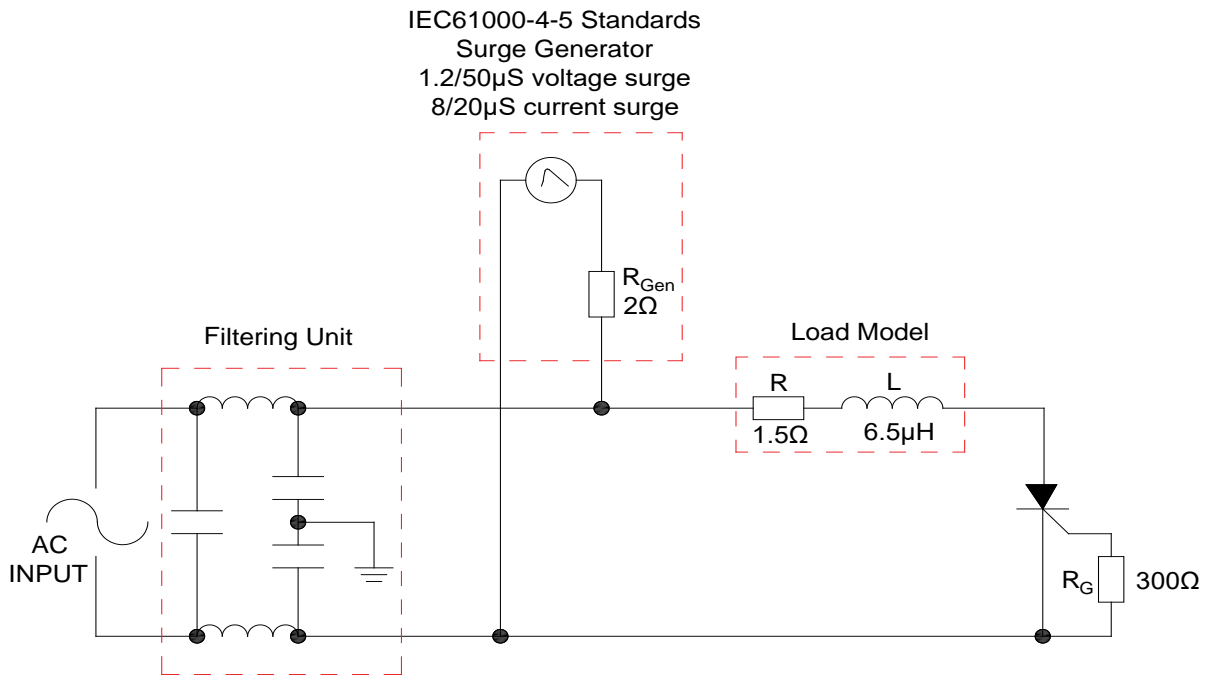


FIG.7: Test circuit for inductive and resistive loads to IEC-61000-4-5 standards



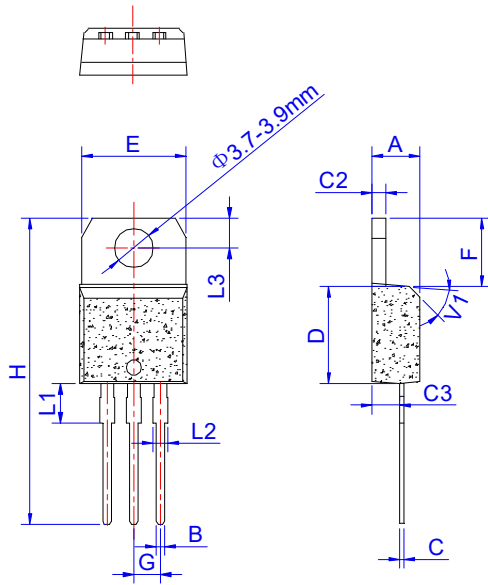
ORDERING INFORMATION

Order code	Voltage V_{DRM}/V_{RRM} (V)	IGT(mA)	Package	Base qty. (pcs)	Delivery mode
JCT616A-FO	600	3~6	TO-220A(Ins)	50	Tube

Document Revision History

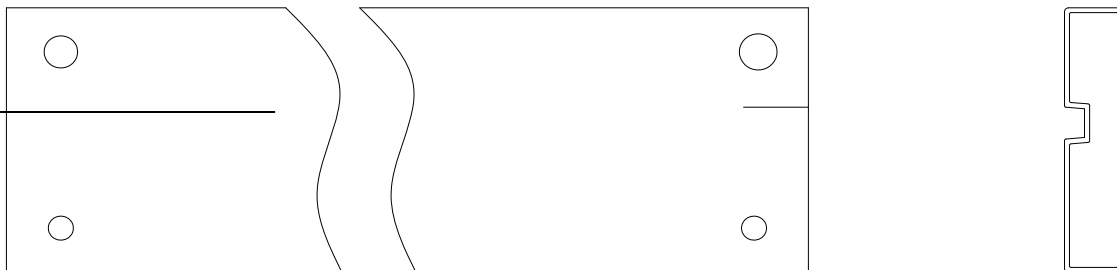
Date	Revision	Changes
Jun 21, 2022	1	Last update
Sept 5, 2022	1.1	Add $I_{T(AV)}$

PACKAGE MECHANICAL DATA



Ref.	Dimensions					
	Millimeters			Inches		
	Min.	Typ.	Max.	Min.	Typ.	Max.
A	4.40		4.60	0.173		0.181
B	0.61		0.88	0.024		0.035
C	0.46		0.70	0.018		0.028
C2	1.21		1.32	0.048		0.052
C3	2.40		2.72	0.094		0.107
D	8.60		9.70	0.339		0.382
E	9.80		10.4	0.386		0.409
F	6.25		6.85	0.246		0.270
G	2.40		2.70	0.094		0.106
H	28.0		29.8	1.102		1.173
L1	3.45		4.05	0.136		0.159
L2	1.14		1.70	0.045		0.067
L3	2.65		2.95	0.104		0.116
V1		45°			45°	

DELIVERY MODE





Information furnished in this document is believed to be accurate and reliable. However, Jiangsu JieJie Microelectronics Co.,Ltd assumes no responsibility for the consequences of use without consideration for such information nor use beyond it. Information mentioned in this document is subject to change without notice, apart from that when an agreement is signed, Jiangsu JieJie complies with the agreement. Products and information provided in this document have no infringement of patents. Jiangsu JieJie assumes no responsibility for any