


Symbol	Test Condition	Value			Unit
		MIN.	TYP.	MAX.	

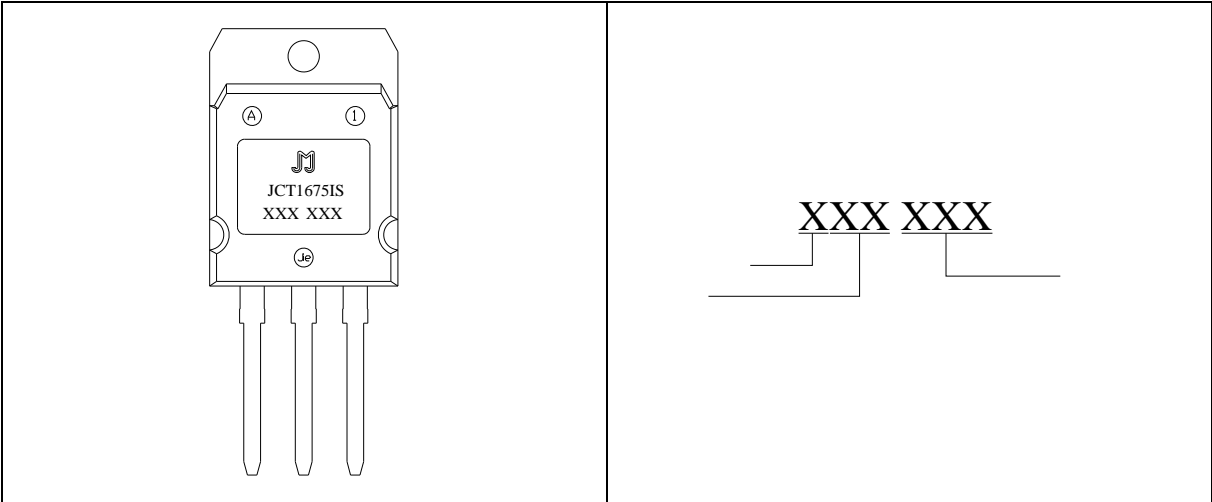
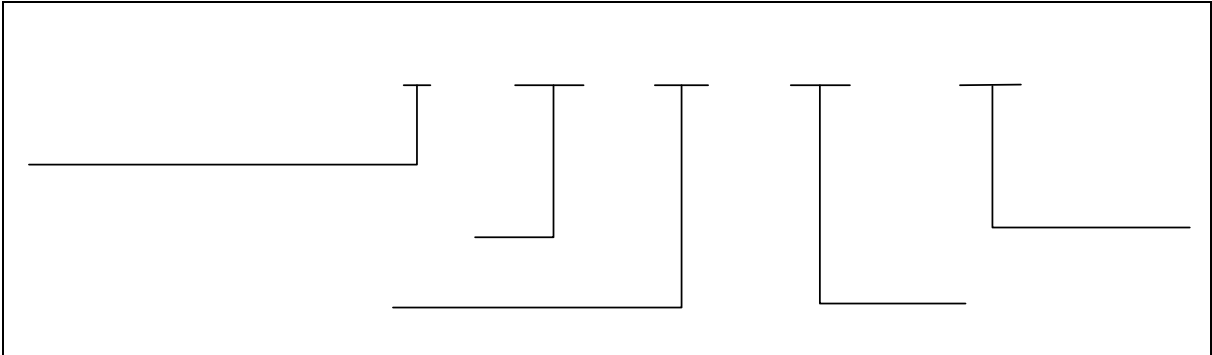


FIG.1

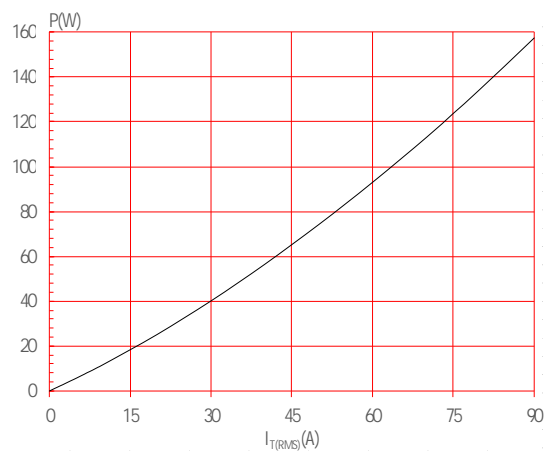
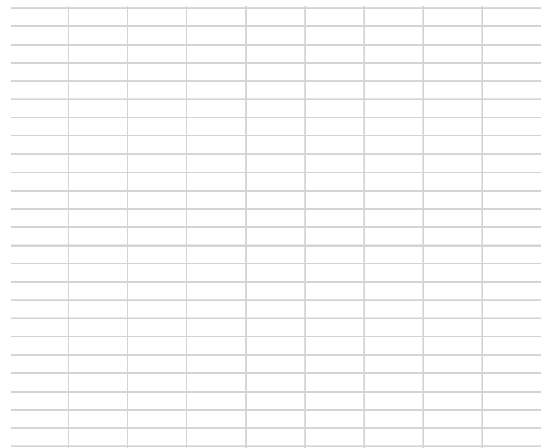
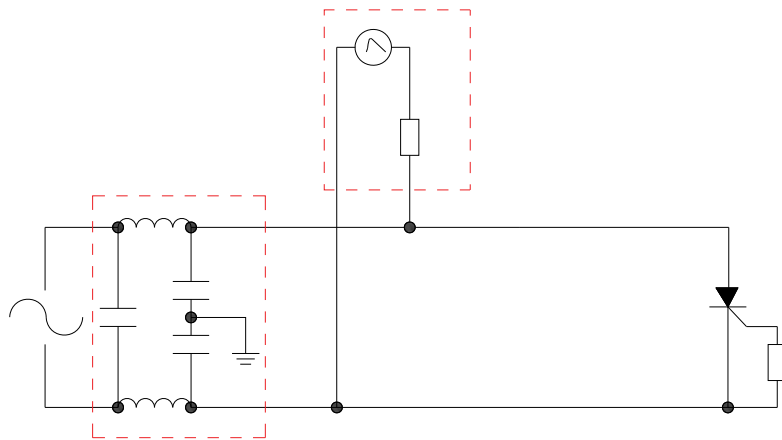


FIG.2:





Order code	Voltage $V_{DRM}/V_{RRM}$ (V)	IGT(mA)	Package	Base qty. (pcs)	Delivery mode
JCT1675IS	1600	10-80	ITO-247(Ins)	25	Tube

**Document Revision History**

