

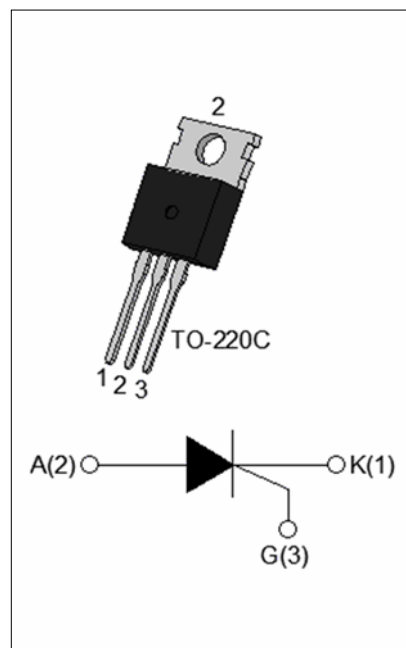


DESCRIPTION:

With high ability to withstand the shock loading of large current, JCT1625C SCR provides high dV/dt rate with strong resistance to electromagnetic interference. It is especially recommended for use on solid state relay, motorcycle, power charger, T-tools etc. Package TO-220C is RoHS compliant.

MAIN FEATURES

Symbol	Value	Unit
$I_{T(RMS)}$	25	A
V_{DRM}/V_{RRM}	1600	V
I_{GT}	40	mA



ABSOLUTE MAXIMUM RATINGS

Parameter	Symbol	Value	Unit
Storage junction temperature range	T_{stg}	-40-150	
Operating junction temperature range	T_j	-40-125	
Repetitive peak off-state voltage ($T_j=25^\circ C$)	V_{DRM}	1600	V
Repetitive peak reverse voltage ($T_j=25^\circ C$)	V_{RRM}	1600	V
Average on-state current ($T_c = 85^\circ C$)	$I_{T(AV)}$	16	A
RMS on-state current ($T_c = 85^\circ C$)	$I_{T(RMS)}$	25	A
Non repetitive surge peak on-state current ($t_p=10ms, T_j=25^\circ C$)	I_{TSM}	280	A
Non repetitive surge peak on-state current ($t_p=8.3ms, T_j=25^\circ C$)		300	
I^2t value for fusing ($t_p=10ms, T_j=25^\circ C$)	I^2t	392	A^2s
Critical rate of rise of on-state current ($I_G=2 \times I_{GT}, f=100Hz, T_j=125^\circ C$)	di/dt	200	$A/\mu s$
Peak gate current ($t_p=20\mu s, T_j=125^\circ C$)	I_{GM}	5	A
Average gate power dissipation ($T_j=125^\circ C$)	$P_{G(AV)}$	1	W

Peak gate power	P_{GM}	20	W
Peak pulse voltage ($T_j=25$; non-repetitive,off-state;FIG.7)	V_{pp}	1.5	kV

ELECTRICAL CHARACTERISTICS ($T_j=25$ unless otherwise specified)

Symbol	Test Condition	Value			Unit
		MIN.	TYP.	MAX.	
I_{GT}	$V_D=12V R_L=33$	-	-	40	mA
V_{GT}		-	-	1	V
V_{GD}	$V_D=V_{DRM} T_j=125 R_L=3.3K$	0.2	-	-	V
I_L	$I_G=1.2I_{GT}$	-	-	100	mA
I_H	$I_T=500mA$	-	-	90	mA
dV/dt	$V_D=1070V$ Gate Open $T_j=125$	1000	-	-	V/ μs
t_{on}	$I_G=50mA I_A=500mA I_R=50mA$ $T_j=25$	-	7	-	μs
t_{off}		-	100	-	

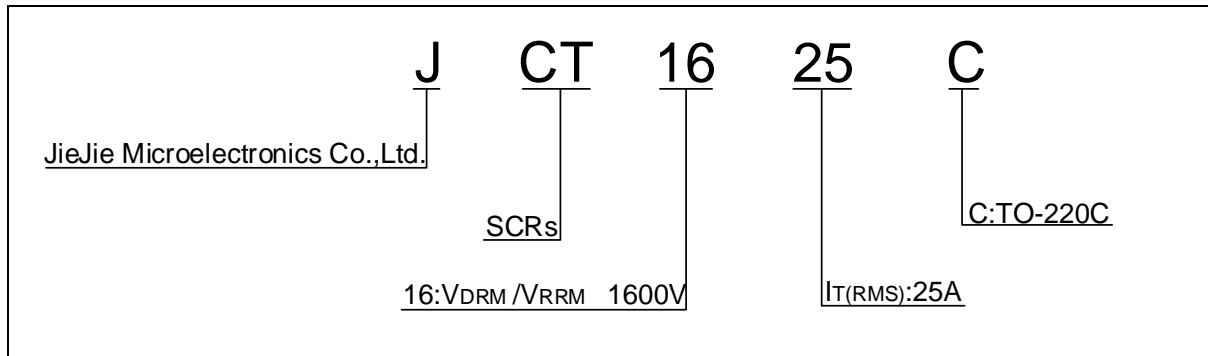
STATIC CHARACTERISTICS

Symbol	Parameter		Value(MAX.)	Unit
V_{TM}	$I_{TM}=50A t_p=380\mu s$	$T_j=25$	1.8	V
V_{TO}	Threshold voltage	$T_j=125$	0.74	V
R_D	Dynamic resistance	$T_j=125$	27	m
I_{DRM}	$V_D=V_{DRM} V_R=V_{RRM}$	$T_j=25$	10	μA
I_{RRM}		$T_j=125$	4	mA

THERMAL RESISTANCES

Symbol	Parameter	Value	Unit
$R_{th(j-c)}$	junction to case(DC)	1.1	/W
$R_{th(j-a)}$	junction to ambient (DC)	55	/W

ORDERING INFORMATION



MARKING

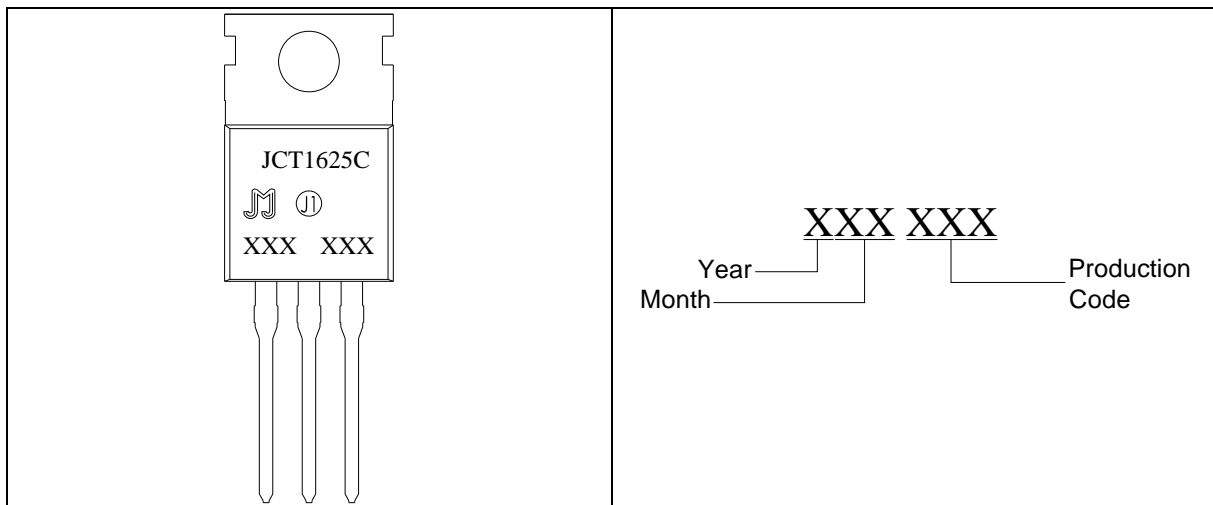


FIG.1 Maximum power dissipation versus RMS on-state current

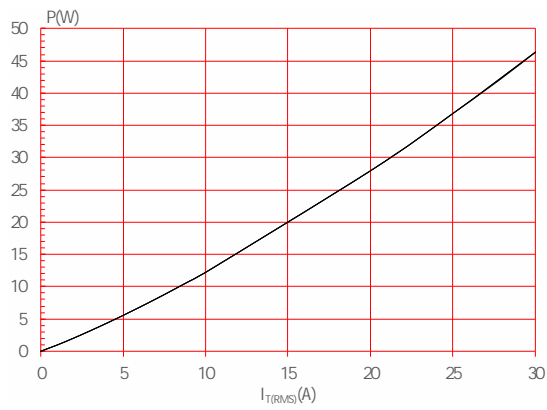


FIG.2: RMS on-state current versus case temperature

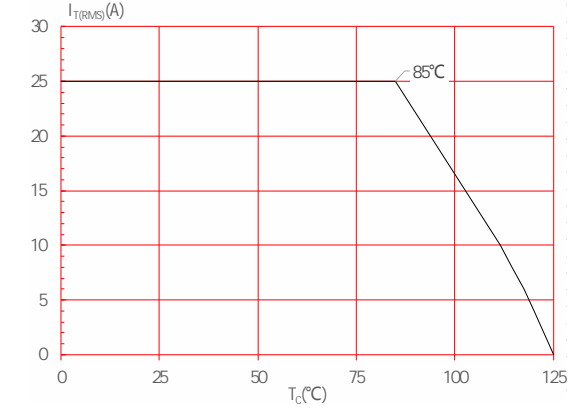


FIG.3: Surge peak on-state current versus number of cycles

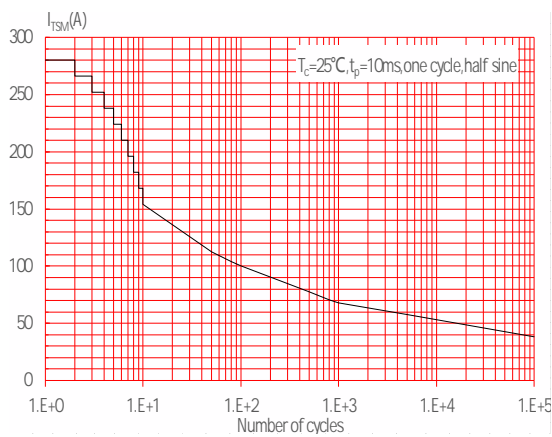


FIG.4: On-state characteristics

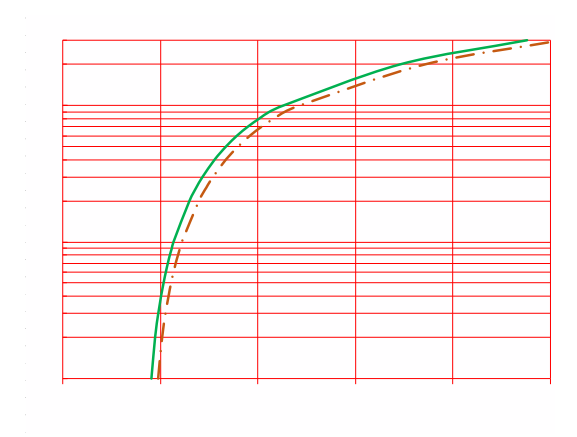
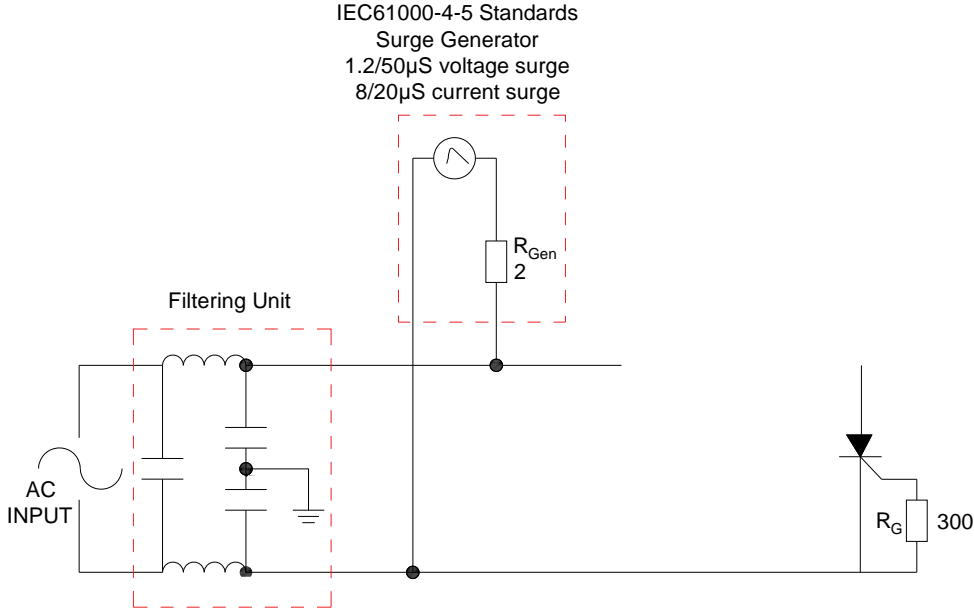


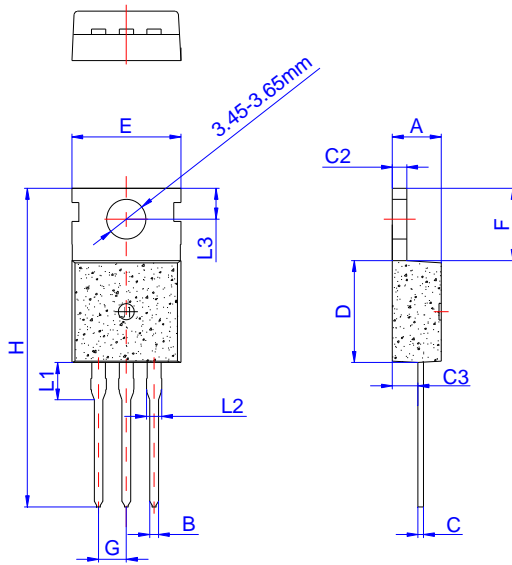
FIG.7 Test circuit for inductive and resistive loads to IEC-61000-4-5 standards.



ORDERING INFORMATION

Order code	Voltage $V_{DRM\ k}$
------------	-------------------------

PACKAGE MECHANICAL DATA



Ref.	Dimensions					
	Millimeters			Inches		
	Min.	Typ.	Max.	Min.	Typ.	Max.
A	4.40		4.60	0.173		0.181
B	0.70		0.90	0.028		0.035
C	0.45		0.60	0.018		0.024
C2	1.25		1.35	0.049		0.053
C3	2.20		2.60	0.087		0.102
D	8.90		9.90	0.350		0.390
E	9.90		10.3	0.390		0.406
F	6.30		6.90	0.248		0.272
G	2.40		2.70	0.094		0.106
H	28.0		29.8	1.102		1.173
L1	2.70		3.30	0.106		0.130
L2	1.14		1.70	0.045		0.067
L3	2.65		2.95	0.104		0.116

DELIVERY MODE

