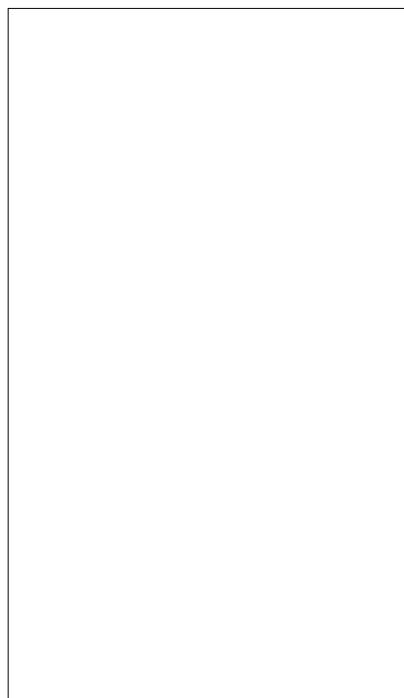




With high ability to withstand the shock loading of large current, JCT1612C provides high dV/dt rate with strong resistance to electromagnetic interference. It is especially recommended for use on hair straightener motorcycle voltage regulator etc. Package TO-220C is RoHS compliant.



Parameter

6 (t)2 0 Td ()Tj EM0.97G(ol)]TJ 0 Tc 0 Tw 3.6 T(er)7gTc 9 -23.96 -1.49 Td 6(It i)(t)2 (.5710 ((.571Tw 3.4

Peak gate power	P_{GM}	5	W
Peak pulse voltage ($T_j=25$; non-			

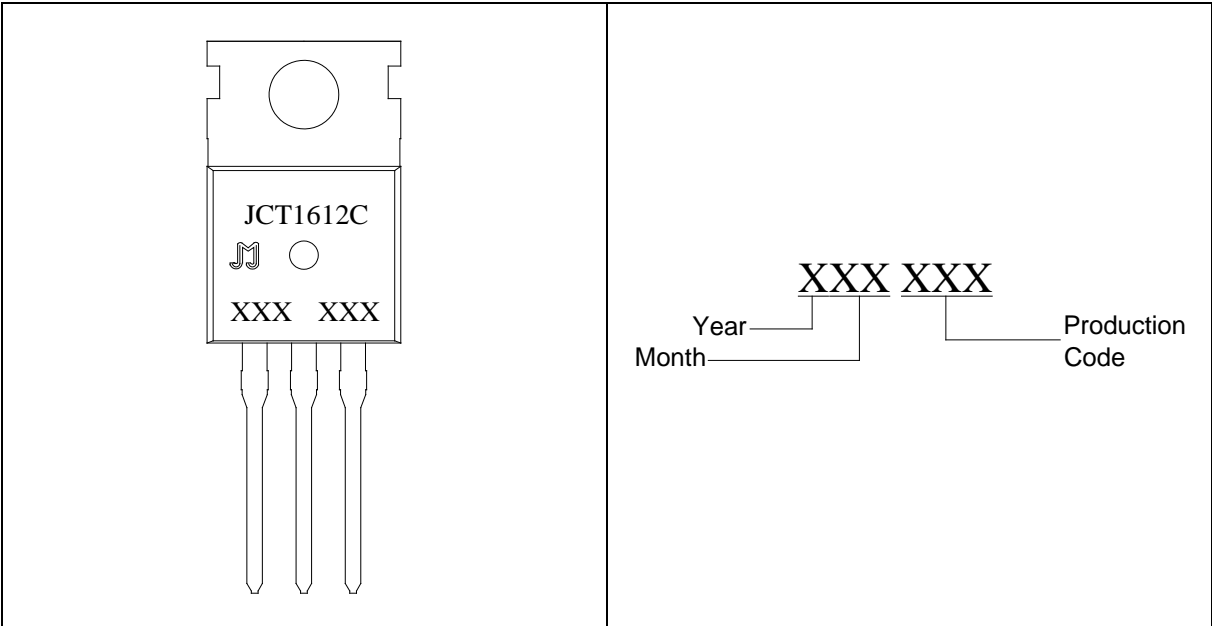
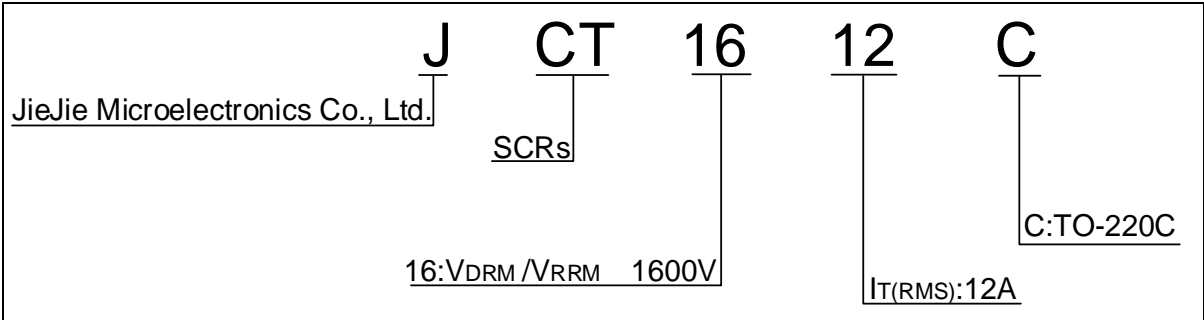
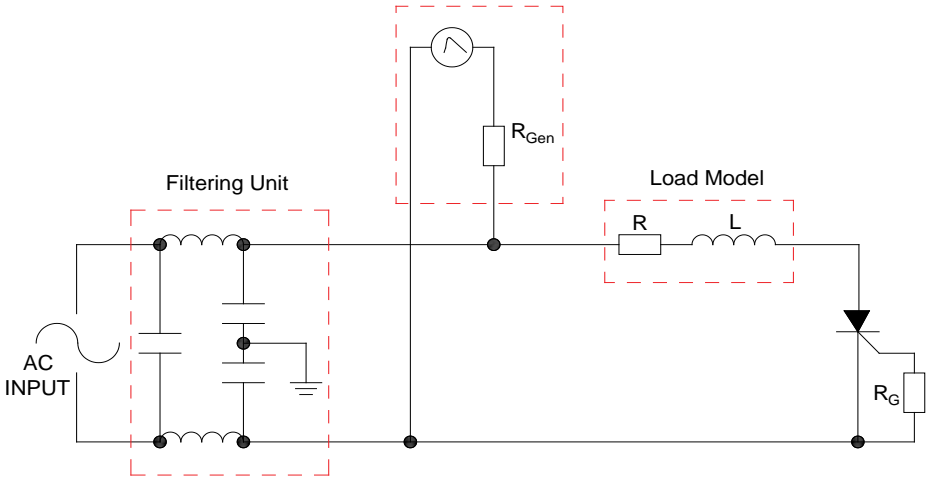


FIG.1 Maximum power dissipation versus RMS on-state current

FIG.2: RMS on-state current versus case temperature

FIG.7 Test circuit for inductive and resistive loads to IEC-61000-4-5 standards.

IEC61000-4-5 Standards
Surge Generator

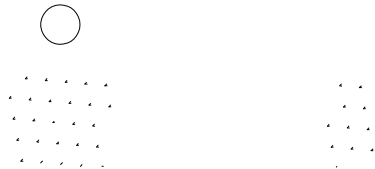


Refer to Instructions for installation of plastic-sealed in-line power devices released by JieJie


Order code	Voltage V_{DRM}/V_{RRM} (V)	IGT(mA)	Package	Base qty. (pcs)	Delivery mode
JCT1612C	1600	15	TO-220C	50	Tube

Document Revision History

Date	Revision	Changes
Aug.10, 2023	A.1.0	Last update



Information furnished in this document is believed to be accurate and reliable. However, Jiangsu JieJie Microelectronics Co., Ltd. assumes no responsibility for the consequences of use without consideration for such information nor use beyond it. Information mentioned in this document is subject to change without notice, apart from that when an agreement is signed, Jiangsu JieJie complies with the agreement. Products and information provided in this document have no infringement of patents. Jiangsu JieJie assumes no responsibility for any infringement of other rights of third parties which may result from the use of such products and information. This document supersedes and replaces all information previously supplied.

 is a registered trademark of Jiangsu JieJie Microelectronics Co., Ltd. Copyright © 2023 Jiangsu JieJie Microelectronics Co., Ltd. All rights reserved.