

Symbol	Test Condition	Value			Unit
		MIN.	TYP.	MAX.	

Symbol	Parameter	Value(MAX.)	Unit

Symbol	Parameter	Value	Unit

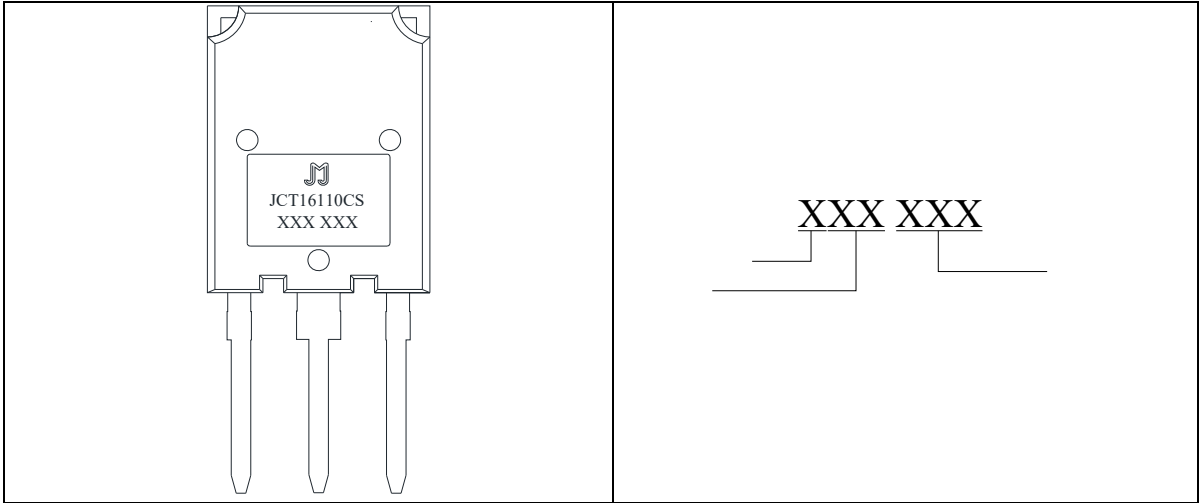
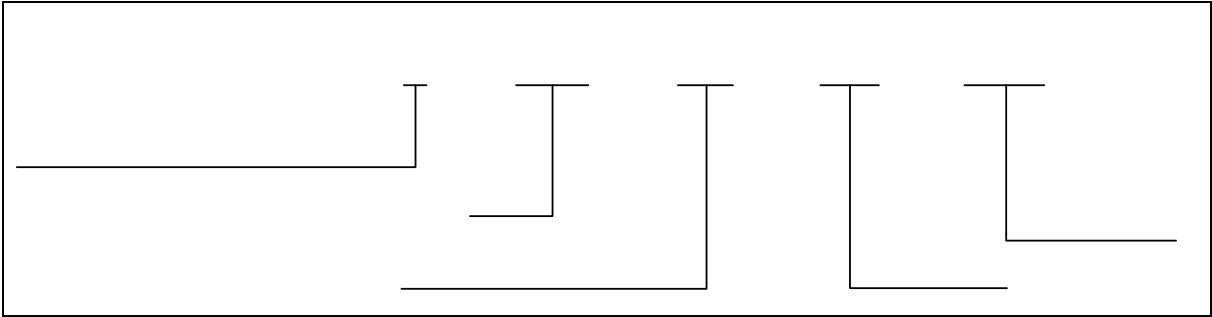


FIG.1

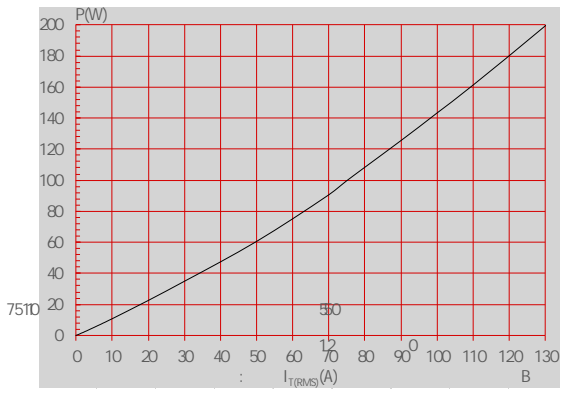
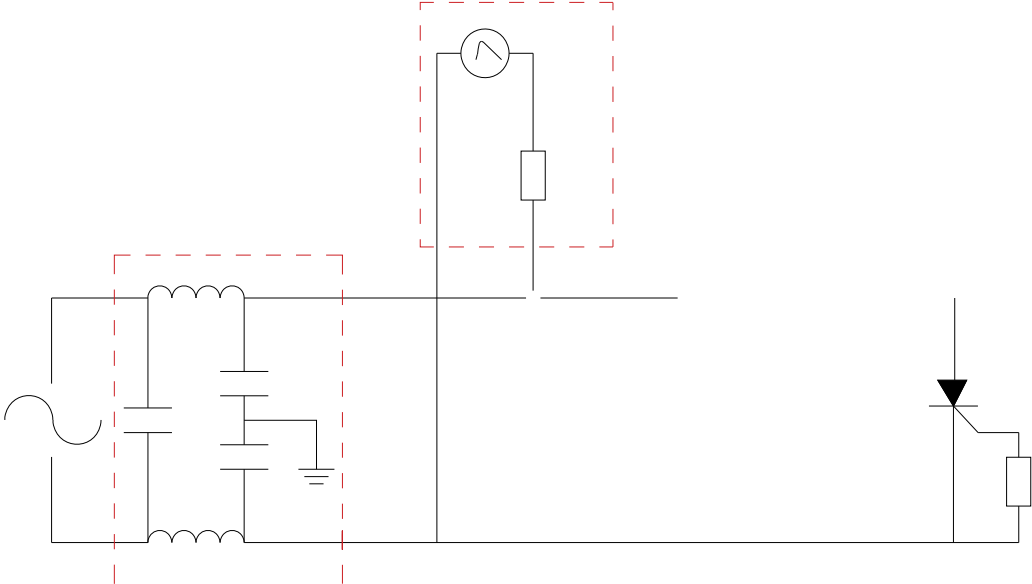


FIG.2:

m

FIG.7





Order code	Voltage V_{DRM}/V_{RRM} (V)	IGT(mA)	Package	Base qty. (pcs)	Delivery mode
JCT16110CS	1600	10-80	TO-247S	30	Tube

Document Revision History

