



JCT1240SJ 40A SCR

Rev.A.1.0

DESCRIPTION:

Wavelength

GC

0 S R p G d

Wavelength

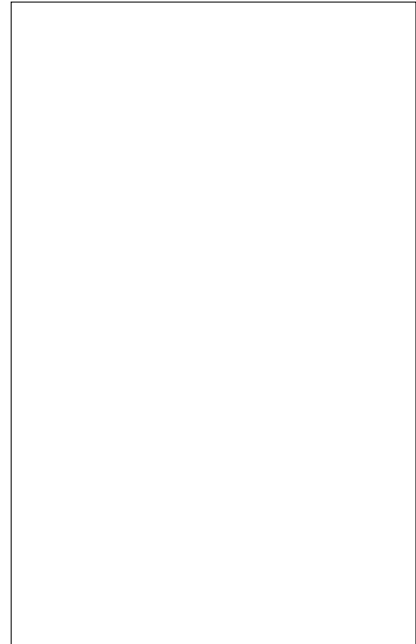
6

t s p en

0 Wavelength

T Wavelength

2 7 en



MAIN FEATURES

ABSOLUTE MAXIMUM RATINGS

| Parameter                          | Symbol   | Value      | Unit |
|------------------------------------|----------|------------|------|
| Storage Temperature                | $T_s$    | -40 to 60  |      |
| Junction Temperature               | $T_j$    | -40 to 200 |      |
| Forward Voltage (at $I_T = 10A$ )  | $V_{FM}$ | 0          | V    |
| Reverse Voltage (at $I_T = 0$ )    | $V_{RM}$ | 0          | V    |
| Forward Current (at $V_{FM} = 0$ ) | $I_{FM}$ | 20         | A    |
| Reverse Current (at $V_{RM} = 0$ ) | $I_{RM}$ | 0          | A    |
| Wavelength                         |          |            |      |
| (p/n)                              |          |            |      |

|          |          |   |   |
|----------|----------|---|---|
| $P_{DM}$ | $P_{DM}$ | 0 | W |
| $V_p$    | $V_p$    | 0 | V |

### ELECTRICAL CHARACTERISTICS

| Symbol   | Test Condition                           | Value |      |      | Unit |
|----------|--|-------|------|------|------|
|          |  | MIN.  | TYP. | MAX. |      |
| $I_G$    | $V_D = 0, I_L = 0$                       | -     | -    | 5    | A    |
| $V_G$    |  | -     | -    | 1    | V    |
| $V_D$    | $V_D = 0, T_j = 25, R_L = 0$             | 0     | -    | -    | V    |
| $I_L$    | $I_G = 2, I_G$                           | -     | -    | 0    | A    |
| $I_H$    | $I_T = 0, A$                             | -     | -    | 0    | A    |
| $t_{r1}$ | $V_D = 0, I_G = 0, I_L = 0, R_L = 0$     | 50    | -    | -    | V/s  |
| $t_b$    | $I_G = 5, I_A = 5, I_R = 0, A, T_j = 25$ | -     | 5    | -    | s    |
| $t_b$    |  | -     | 0    | -    |      |

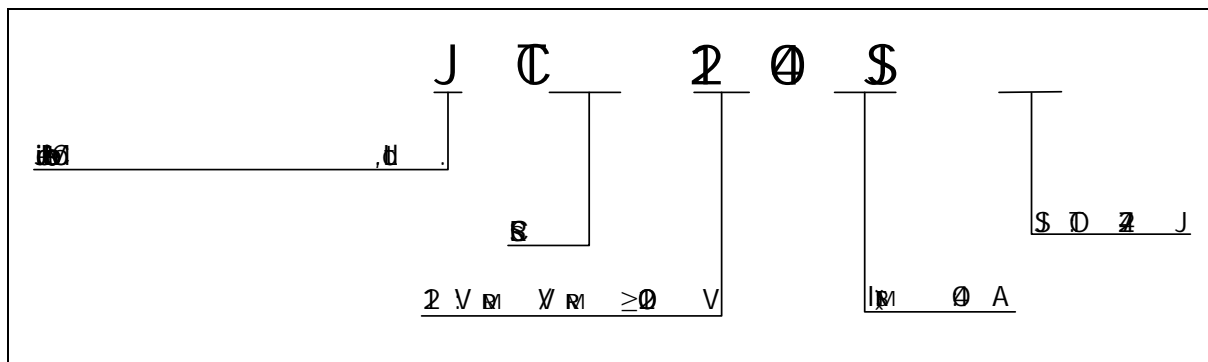
### STATIC CHARACTERISTICS

| Symbol   | Parameter                          | Value(MAX.) | Unit |
|----------|------------------------------------|-------------|------|
| $V_{IM}$ | $I_{IM} = 0, t_p = 0, s, T_j = 25$ | 1.7         | V    |
| $V_D$    | $T_j = 25$                         | 0           | V    |
| $R_D$    | $T_j = 25$                         | 2           |      |
| $I_{DM}$ | $V_D = 0, V_{DM} = 0, V_{RM} = 0$  | $T_j = 25$  | A    |
| $I_{RM}$ |                                    | $T_j = 25$  | 5    |

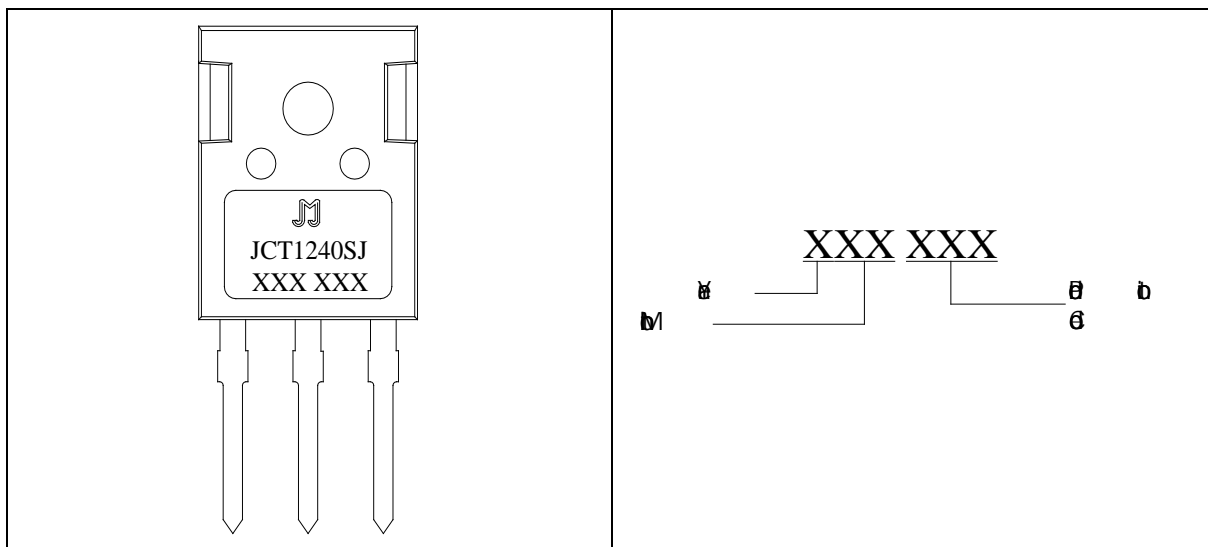
### THERMAL RESISTANCES

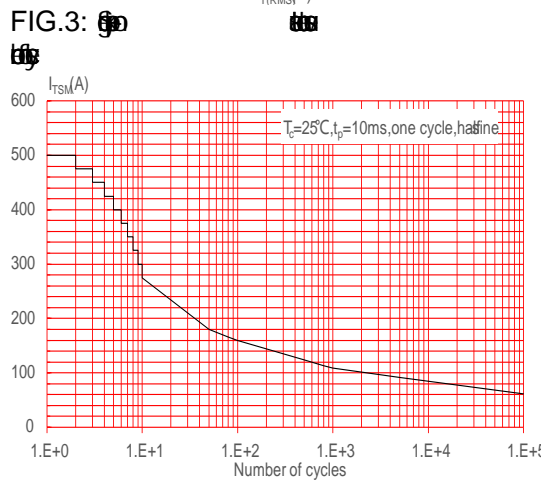
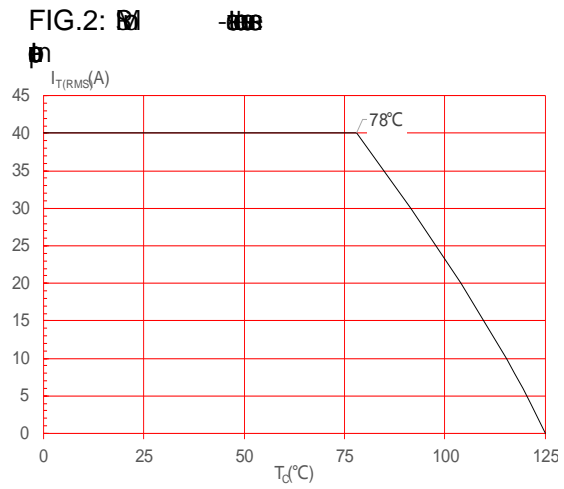
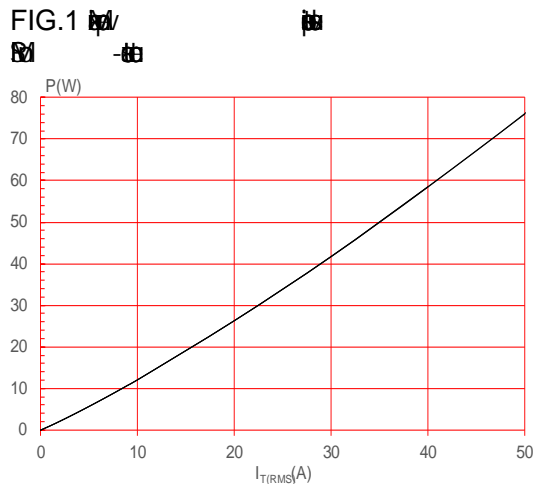
| Symbol    | Parameter    | Value | Unit |
|-----------|--------------|-------|------|
| $R_{p-c}$ | $R_{p-c}$ DC | 0.8   | W    |
| $R_{p-a}$ | $R_{p-a}$    | 5     | W    |

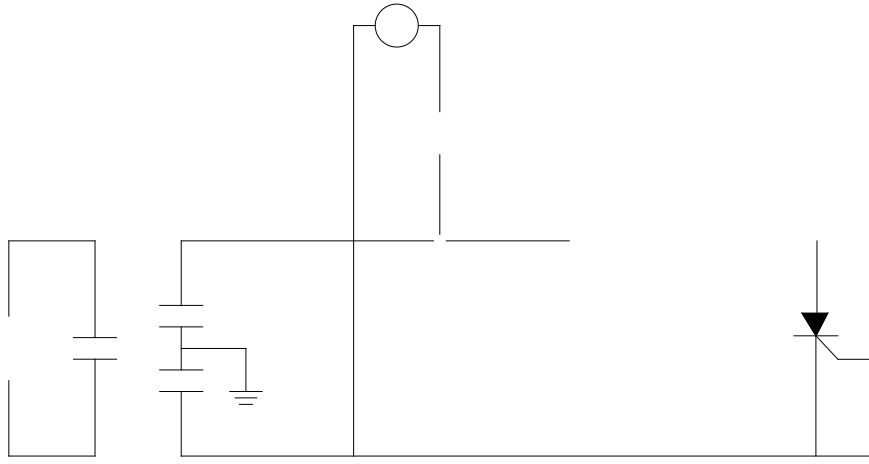
ORDERING INFORMATION



MARKING







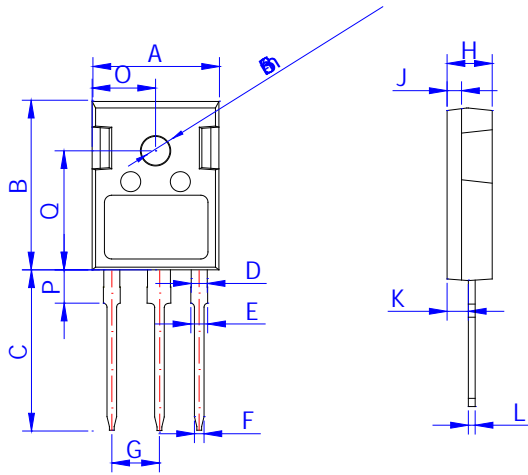
## ORDERING INFORMATION

| Order code | Voltage<br>$V_{DRM}/V_{RRM}$ (V) | IGT(mA) | Package | Base qty.<br>(pcs) | Delivery<br>mode |
|------------|----------------------------------|---------|---------|--------------------|------------------|
| JCT1240SJ  | 1200                             | 45      | TO-247J | 30                 | Tube             |

## Document Revision History

| Rev | Description | Date |
|-----|-------------|------|
| A   | A 10        |      |

PACKAGE MECHANICAL DATA



| R | B |   |     |   |       |    |
|---|---|---|-----|---|-------|----|
|   | M |   |     | b |       |    |
|   | M | Φ | M   | M | Φ     | Ma |
| A | Φ | Φ | Φ Φ |   | Φ     | Φ  |
| B | Φ | Φ | Φ Φ |   | Φ     | Φ  |
| C | Φ | Φ | Φ Φ |   | Φ     | Φ  |
| D | Φ | Φ | Φ Φ |   | Φ     | Φ  |
| E | Φ | Φ | Φ   | Φ | Φ     | Φ  |
| F | Φ | Φ | Φ   | Φ | Φ     | Φ  |
| G |   | Φ |     |   | Φ     |    |
| H | Φ | Φ | Φ   | Φ | Φ     | Φ  |
| J | Φ | Φ | Φ Φ |   | Φ     | Φ  |
| K | Φ | Φ | Φ Φ |   | Φ     | Φ  |
| L | Φ | Φ | Φ Φ |   | Φ     | Φ  |
| O |   | Φ |     |   | Φ     |    |
| P | Φ | Φ | Φ Φ |   | Φ Φ Φ |    |
| Q |   | Φ |     |   | Φ     |    |

DELIVERY MODE



XXXXXXXXXX

XXXXXX

XXXXXXXXXX

XXXXXXXXXX

XXXXXXXXXX

XXXXXXXXXX

XXXXXXXXXX

XXXXXXXXXX

XXXXXXXXXX

XXXXXXXXXX



XXXXXXXXXX

XXXXXXXXXX

XXXXXXXXXX

XXXXXXXXXX

XXXXXXXXXX

XXXXXXXXXX