

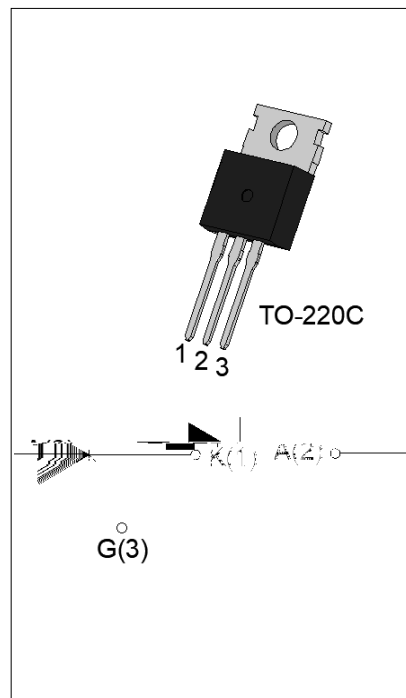


JCT1208C 8A SCR

Rev.A.1.0

DESCRIPTION:

With high reliability and low loss loading of large current JCT 1208C provides high dv/dt rate and long service life to electromagnetic interference. It is especially recommended for use on lighter motor voltage regulator etc. Package TO-220C is RoHS compliant



MAIN FEATURES

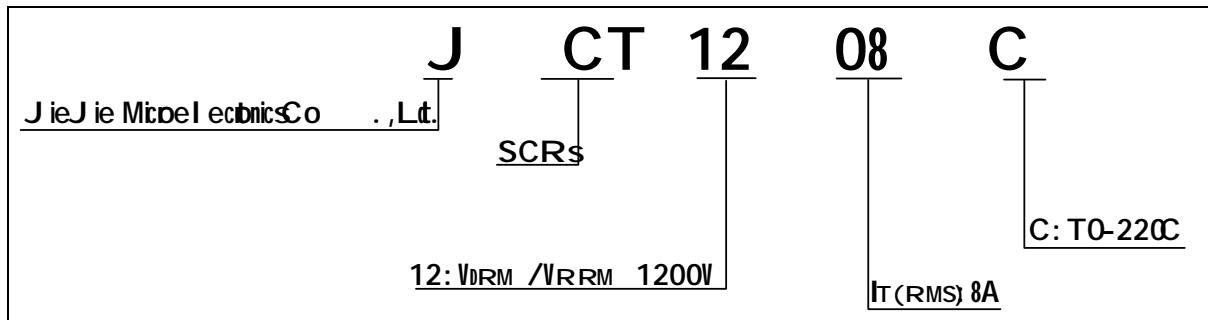
| Symbol              | Value | Unit |
|---------------------|-------|------|
| $I_{T(RMS)}$        | 8     | A    |
| $V_{DRM} / V_{RRM}$ | 1200  | V    |
| $I_G$               | 15    | mA   |

ABSOLUTE MAXIMUM RATINGS

| Parameter  | Symbol       | Value   | Unit   |
|--|--------------|---------|--------|
| Storage junction temperature range   | $T_s$        | -40-150 |        |
| Operating junction temperature range   | $T_j$        | -40-125 |        |
| Repetitive peak off-state voltage ( $T_j = $ )                               | $V_{DRM}$    | 25 1200 | V      |
| Repetitive peak reverse voltage ( $T_j = $ )                                 | $V_{RRM}$    | 25 1200 | V      |
| Average on-state current ( $T_c = 103 $ )                                    | $I_{T(AV)}$  | 5       | A      |
| RMS on-state current ( $T_c = 103 $ )  | $I_{T(RMS)}$ | 8       | A      |
| Non repetitive peak on-state current ( $t = 10ms, T_j = 25 $ )               | $I_{TSM}$    | 85      | A      |
| Non repetitive peak on-state current ( $t = 3ms, T_j = 25 $ )                |              | 94      |        |
| Peak energy for fusing ( $t_p = 10ms, T_j = $ )                              | $I^2t_{25}$  | 36      | $A^2s$ |
| Critical rate of rise of on-state current ( $I = 8A, f = 100Hz, T_j = 25 $ ) | $di/dt$      | 100     | $A/s$  |
| Peak gate current ( $t = 20ms, T_j = $ )                                     | $I_{GM(25)}$ | 4       | A      |
| Average gate power dissipation ( $T_j = $ )                                  | $P_{G(AV)}$  | 1       | W      |

|                   |          |   |   |
|-------------------|----------|---|---|
| Peak gate power   | $P_{GM}$ | 5 | W |
| Peak plus voltage |          |   |   |

ORDERING INFORMATION



MARKING

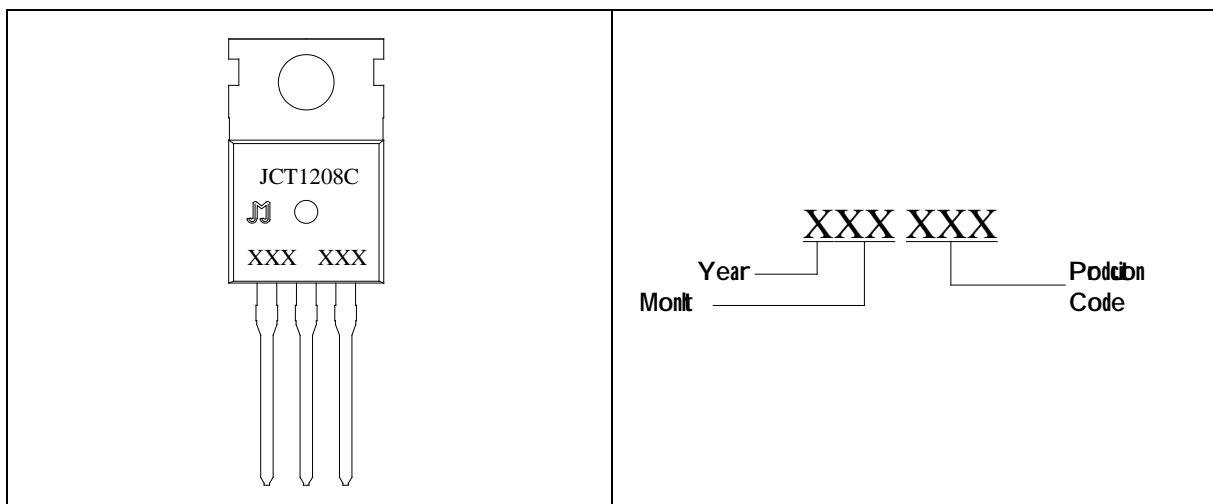


FIG.1 Main parameters  
RMS on the cent

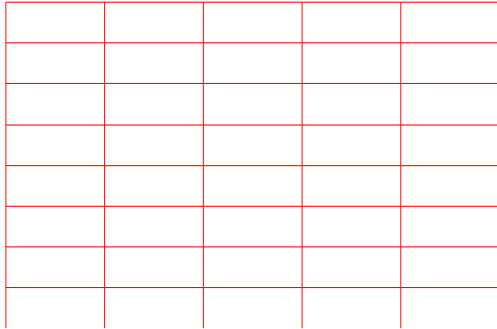
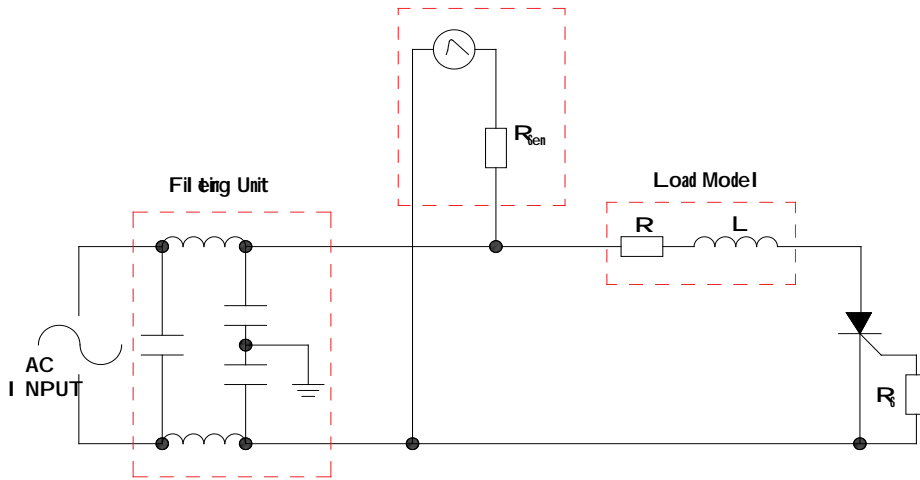


FIG.2: RMS on the cent  
temp

IEC61000-4-5 Standards  
Surge Generator



### SHAPING AND SOLDERING PARAMETERS

Refer to the information of plates - soldered in - line power - released by JieJie

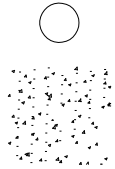
## ORDERING INFORMATION

| Order code | Voltage<br>$V_{DRM}/V_{RRM}$ (V) | IGT(mA) | Package | Base qty.<br>(pcs) | Delivery<br>mode |
|------------|----------------------------------|---------|---------|--------------------|------------------|
| JCT1208C   | 1200                             | 15      | TO-220C | 50                 | Tube             |


**Document Revision History**

| Date         | Revision | Changes |
|--------------|----------|---------|
| Apr.13, 2023 | A.1.0    | Latest  |

PACKAGE MECHANICAL DATA



Information furnished in this document is believed to be accurate and reliable. However, JieJie Microelectronics Co., Ltd. is not responsible for the consequences of any omissions or errors in this information nor beyond the information mentioned in this document to change its content, apart from what an agreement is signed, JieJie Microelectronics Co., Ltd. is not responsible for any infringement of patents or other rights of third parties that may exist from the use of the products and information disclosed in this document.

 is a registered trademark of JieJie Microelectronics Co., Ltd. Copyright © 2023 JieJie Microelectronics Co., Ltd. All rights reserved.