

| | | | | |
|----------|---------------|----------|---|---|
| P_{DM} | $V_{GS} = 0V$ | P_{DM} | 0 | W |
| V_{GS} | | P_{DM} | 0 | W |
| V_{GS} | $V_{GS} = 0V$ | V_p | 3 | V |

ELECTRICAL CHARACTERISTICS

| Symbol | Test Condition | Quadrant | Value | Unit |
|-------------|--|----------|-------|------------|
| I_G | $V_{DS} = 10V, I_D = 0$ | - - | 0 | A |
| V_G | | - - | 1 | V |
| V_D | $V_{GS} = 0V, T_j = 25^\circ C$ $R_L = 10k\Omega$ | - - | 0 | V |
| I_L | $I_G = 2 I_G$ | - | 0 | A |
| | | | 0 | A |
| I_H | $I_T = 0$ | | 0 | A |
| τ_{tr} | $V_{DS} = 10V, V_{GS} = 0V, T_j = 25^\circ C$ | | 0 | V/ μs |
| dI/dt | $10V/\mu s, T_j = 25^\circ C$ | | 3 | A |
| t_{on} | $I_G = 0A, I_A \geq 0A, I_{R0} = 0A$ $T_j = 25^\circ C$ | TP | 0 | μs |
| t_{off} | | | 0 | |
| V_C | $I_C = 0, p = 0$ | | 0 | V |

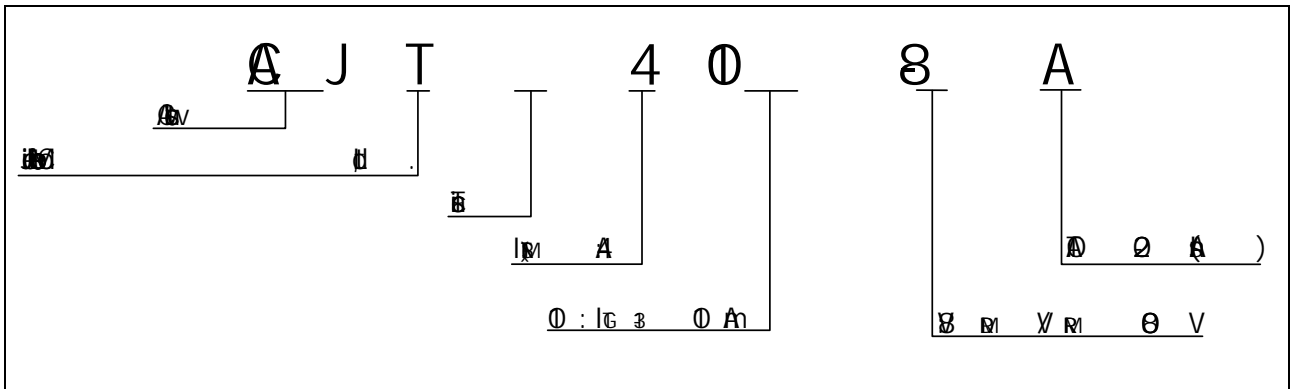
STATIC CHARACTERISTICS

| Symbol | Parameter | Value(MAX.) | Unit |
|----------|---|-------------|---------|
| V_{IM} | $I_{IM} = 5A, p = 0, \mu s, T_j = 25^\circ C$ | 15 | V |
| V_D | | 0 | V |
| R_D | | 17 | m |
| I_{IM} | $V_{DS} = 10V, V_{GS} = 0V, V_{RM}$ | 5 | μA |
| I_{RM} | | 0 | A |

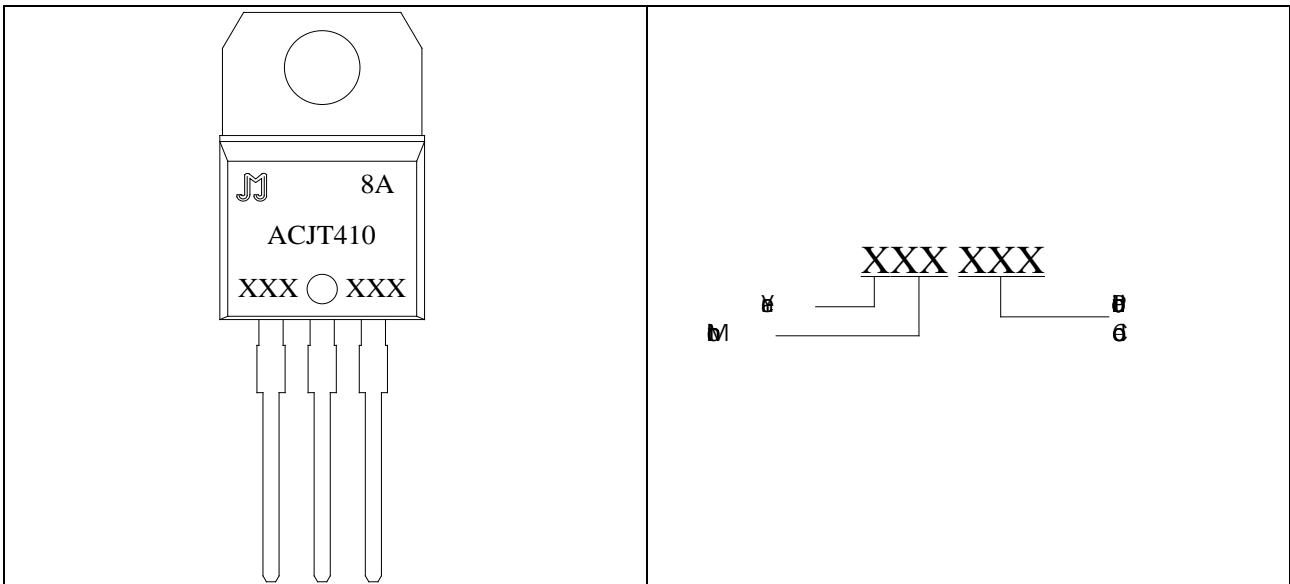
THERMAL RESISTANCES

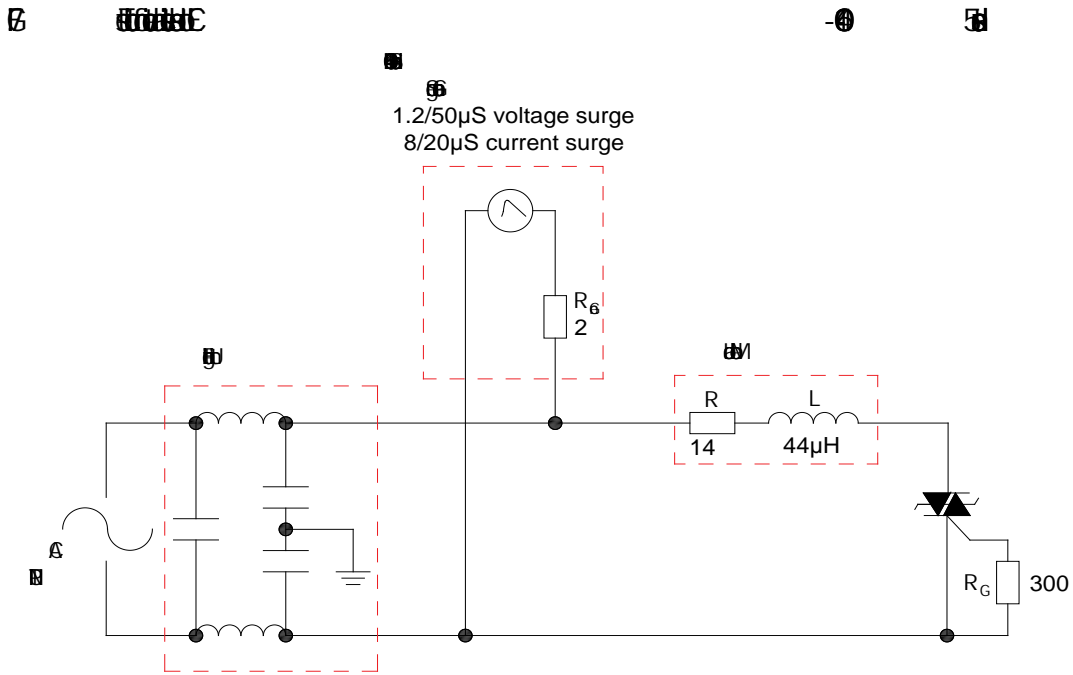
| Symbol | Parameter | Value | Unit |
|------------------|-----------|-------|------|
| $R_{\theta j-c}$ | | 33 | W |
| $R_{\theta j-a}$ | | 0 | W |

ORDERING INFORMATION



MARKING





SHAPING AND SOLDERING PARAMETERS

6 666 -6 66 66

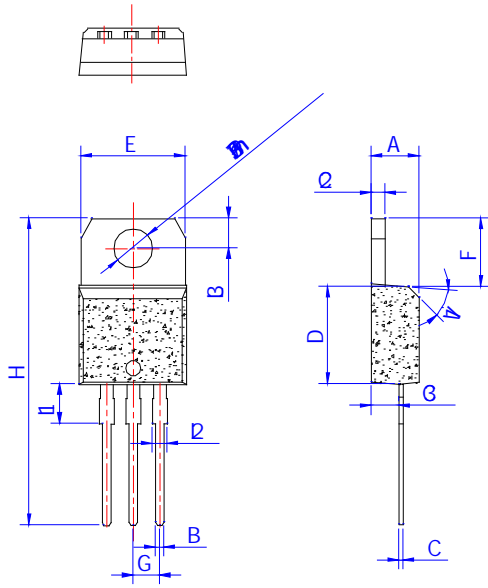
ORDERING INFORMATION

| Order code | Voltage V_{DRM}/V_{RRM} (V) | IGT(mA) | Package | Base qty. (pcs) | Delivery mode |
|------------|----------------------------------|---------|--------------|--------------------|---------------|
| ACJT410-8A | 800 | 10 | TO-220A(Ins) | 50 | Tube |

Document Revision History

| Rev | Rev | Rev |
|-----------|------|-----|
| A .14,0 3 | A.10 | 甲 |

PACKAGE MECHANICAL DATA



| R | b | | | | | |
|---|---|-----------|---|---|-----------|---|
| | M | | | b | | |
| | M | \bar{P} | M | M | \bar{P} | M |
| A | 0 | | 0 | 0 | | 0 |
| B | 0 | | 0 | 0 | | 0 |
| C | 0 | | 0 | 0 | | 0 |
| D | 2 | | 2 | 0 | | 0 |
| E | 0 | | 2 | 0 | | 0 |
| F | 0 | | 0 | 0 | | 0 |
| G | 0 | | 0 | 0 | | 0 |
| H | 0 | | 0 | 0 | | 3 |
| L | 3 | | 0 | 0 | | 0 |
| D | 4 | | 0 | 0 | | 0 |
| B | 0 | | 0 | 0 | | 0 |
| V | | 3 | | | 3 | |

DELIVERY MODE

